

ARBORTECH™

BA200X CORDLESS DUAL BLADE RECIPROCATING SAW

INSTRUCTION MANUAL

ALL.FG.200SKN.00
ALL.FG.200SKN.40
ALL.FG.200SKN.60



PAP
Raccolta differenziata.
Verifica le disposizioni
del tuo Comune

www.arbortechtools.com



Definitions: Safety Guidelines

The definitions below describe the level of severity for each signal word. Please read the manual and pay attention to these symbols.

⚠ DANGER: Indicates an imminently hazardous situation which, if not avoided, **will** result in **death or serious injury**.

⚠ WARNING: Indicates a potentially hazardous situation which, if not avoided, **could** result in **death or serious injury**.

⚠ CAUTION: Indicates a potentially hazardous situation which, if not avoided, **may** result in **minor or moderate injury**.

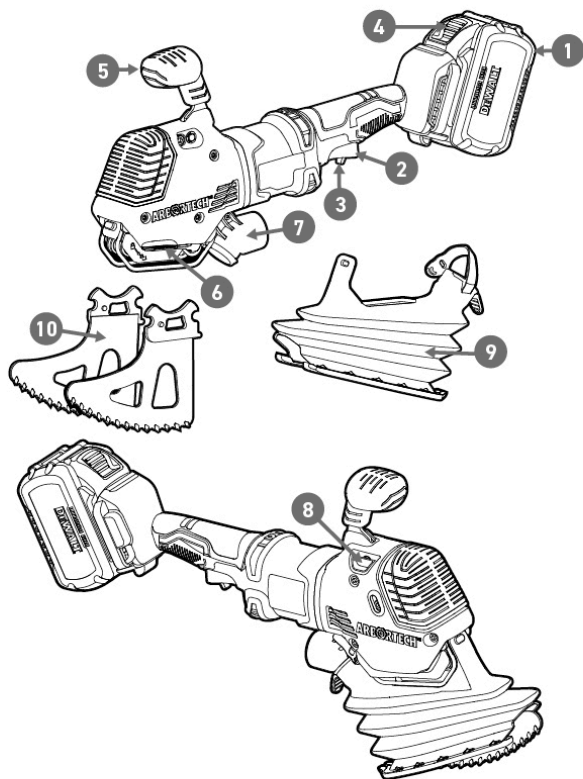
CAUTION: Used without the safety alert symbol indicates a potentially hazardous situation which, if not avoided, **may** result in **property damage**.

⚡ Denotes risk of electric shock.

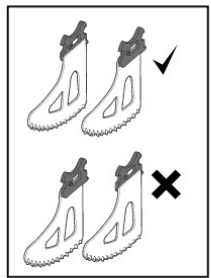
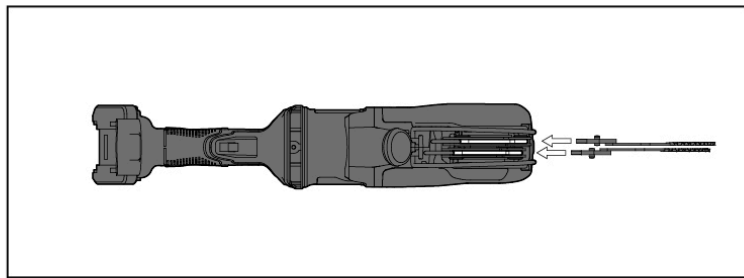
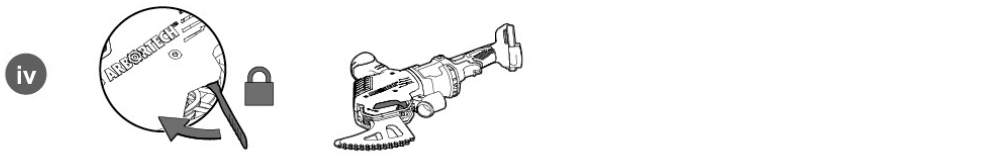
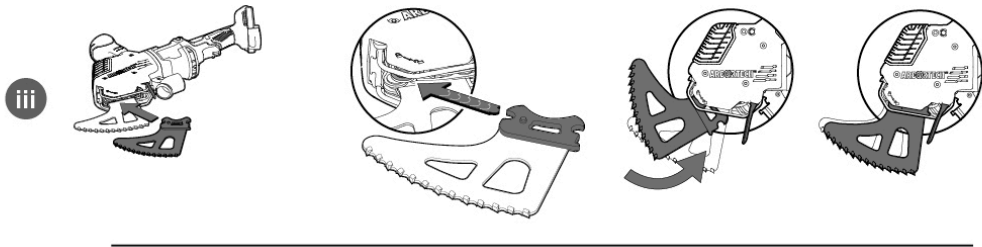
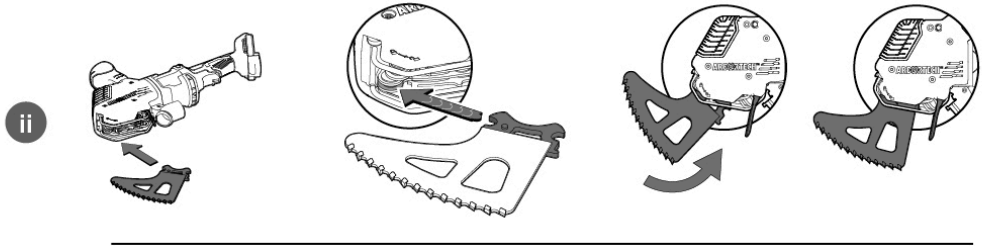
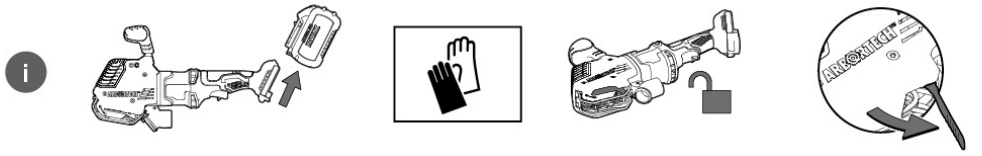
⚠ WARNING: To reduce the risk of injury, user must read this instruction manual and the included DEWALT® Battery and Charger instruction manual.

ITEM	DESCRIPTION	ITEM	DESCRIPTION
1	Battery pack*	6	Lever - blade locking
2	Trigger switch	7	Vacuum bracket
3	Lock-off lever	8	Handle locking button
4	Battery release button	9	Dust boot*
5	Top handle	10	Blades*

*Included with KIT, or sold separately

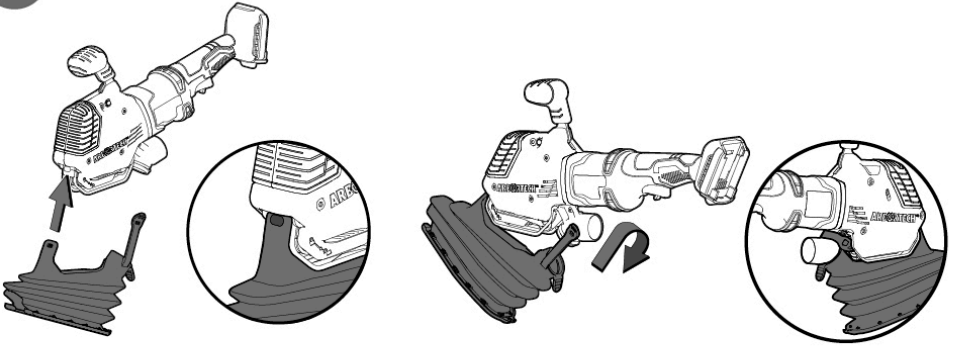


Blade installation



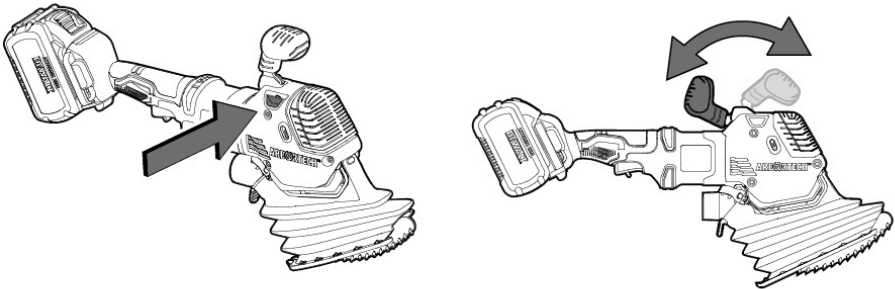
v

Dust Boot installation (*Dust Boot included with KIT only, or sold separately)



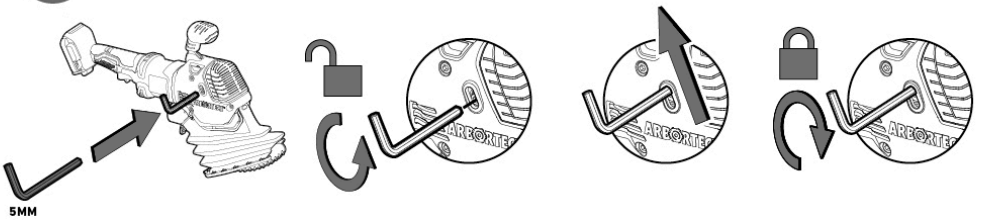
vi

Handle adjustment



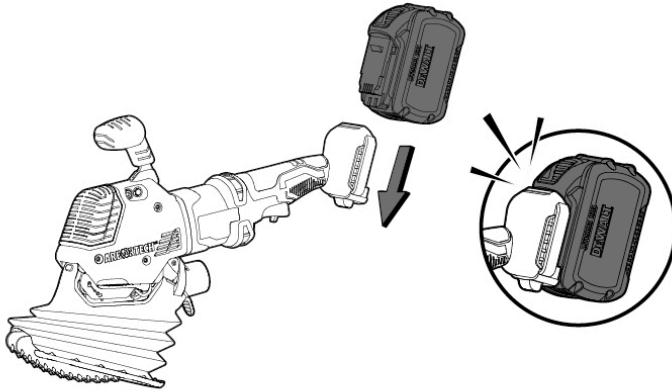
vii

Belt tension adjustment



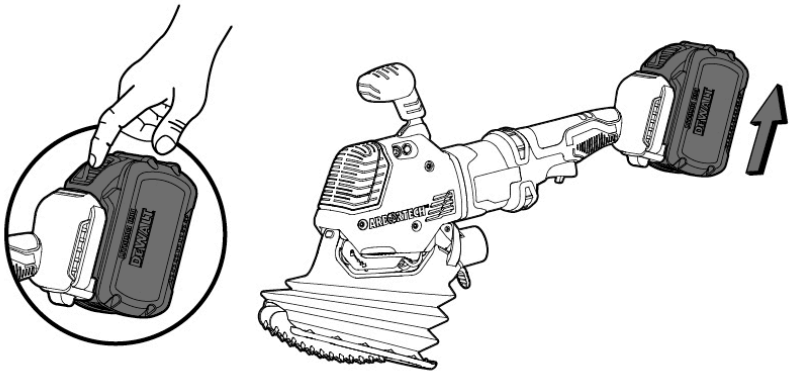
viii

Battery pack installation (*Battery Pack included with KIT only, or sold separately)



ix

Battery pack removal



x

Suitable battery packs and chargers

Battery Pack	Model #	Voltage DC
DEWALT® FLEXVOLT® 54V	DCB546	54V
	DCB547*	
	DCB548	
	DCB549	

*Supplied with KIT

All other battery packs and chargers sold separately.

Chargers – DEWALT® FLEXVOLT® 54V	
DCB104	DCB116
DCB107	DCB117
DCB112	DCB118*
DCB113	DCB132
DCB1104	DCB119

INTRODUCTION

The Arbortech BA200X Cordless Dual Blade Reciprocating Saw is designed and manufactured in Australia, using only the highest quality components and manufacturing processes.

The BA200X is designed for use exclusively with DEWALT® FLEXVOLT® 54V battery packs and DEWALT® FLEXVOLT® chargers.


The unique patented orbital cutting action of two reciprocating blades, allows cutting of brick, mortar, wood, soil and soft stone, faster and safer than traditional reciprocating saws.

This cutting action also produces minimal amounts of airborne dust, offering a safe and controllable operation, with the ability to cut to a depth of 120 mm (4 3/4"), cut square corners and make variable width cuts. The BA200X is ideally suited to a variety of tasks including:

- Removal of mortar for tuck pointing of brick walls
- Removal of single bricks from walls
- Cutting of bricks without damage to adjacent bricks, keying or tothing of brick walls, chasing cuts for conduits and similar items into walls
- Cutting holes in walls or other surfaces
- Removal of tree roots from soil
- Cutting of asphalt and road base
- Turf and sod cutting.

The tool can be fitted with a range of blades to best suit different applications.

GENERAL POWER TOOL SAFETY WARNINGS

 **WARNING** Read all safety warnings, instructions, illustrations and specifications provided with this power tool. Failure to follow all instructions listed below may result in electric shock, fire and/or serious injury.

Save all warnings and instructions for future reference.

The term "power tool" in the warnings refers to your mains-operated (corded) power tool or battery operated (cordless) power tool.

1) Work Area Safety

- a) **Keep work area clean and well lit.** Cluttered and dark areas invite accidents.
- b) **Do not operate power tools in explosive atmospheres, such as in the presence of flammable liquids, gases or dust.** Power tools create sparks which may ignite the dust or fumes.
- c) **Keep children and bystanders away while operating a power tool.** Distractions can cause you to lose control.

2) Electrical Safety

- a) **Power tool plugs must match the outlet. Never modify the plug in any way. Do not use any**

adapter plugs with earthed (grounded) power tools. Unmodified plugs and matching outlets will reduce risk of electric shock.

- b) **Avoid body contact with earthed or grounded surfaces such as pipes, radiators, ranges and refrigerators.** There is an increased risk of electric shock if your body is earthed or grounded.
- c) **Do not expose power tools to rain or wet conditions.** Water entering a power tool will increase the risk of electric shock.
- d) **Do not abuse the cord. Never use the cord for carrying, pulling or unplugging the power tool. Keep cord away from heat, oil, sharp edges or moving parts.** Damaged or entangled cords increase the risk of electric shock.
- e) **When operating a power tool outdoors, use an extension cord suitable for outdoor use.** Use of a cord suitable for outdoor use reduces the risk of electric shock.
- f) **If operating a power tool in a damp location is unavoidable, use a residual current device (RCD) protected supply.** Use of an RCD reduces the risk of electric shock.

3) Personal Safety

- a) **Stay alert, watch what you are doing and use common sense when operating a power tool. Do not use a power tool while you are tired or under the influence of drugs, alcohol or medication.** A moment of inattention while operating power tools may result in serious personal injury.
- b) **Use personal protective equipment. Always wear eye protection.** Protective equipment such as a dust mask, non-skid safety shoes, hard hat or hearing protection used for appropriate conditions will reduce personal injuries.
- c) **Prevent unintentional starting. Ensure the switch is in the off-position before connecting to power source and/or battery pack, picking up or carrying the tool.** Carrying power tools with your finger on the switch or energising power tools that have the switch on invites accidents.
- d) **Remove any adjusting key or wrench before turning the power tool on.** A wrench or a key left attached to a rotating part of the power tool may result in personal injury.
- e) **Do not overreach. Keep proper footing and balance at all times.** This enables better control of the power tool in unexpected situations.
- f) **Dress properly. Do not wear loose clothing or jewellery. Keep your hair, clothing and gloves away from moving parts.** Loose clothes, jewellery or long hair can be caught in moving parts.
- g) **If devices are provided for the connection of dust extraction and collection facilities, ensure these are connected and properly used.** Use of these devices can reduce dust-related hazards.
- h) **Do not let familiarity gained from frequent use of tools allow you to become complacent and ignore tool safety.** A careless action can cause severe injuries within a fraction of a second.

4) Power Tool Use and Care

- a) **Do not force the power tool. Use the correct power tool for your application.** The correct power tool will do the job better and safer at the rate for which it was designed.
- b) **Do not use the power tool if the switch does not turn it on and off.** Any power tool that cannot be controlled with the switch is dangerous and must be repaired.
- c) **Disconnect the plug from the power source and/ or the battery pack from the power tool before making any adjustments, changing accessories, or storing power tools.** Such preventive safety measures reduce the risk of starting the power tool accidentally.
- d) **Store idle power tools out of the reach of children and do not allow persons unfamiliar with the power tool or these instructions to operate the power tool.** Power tools are dangerous in the hands of untrained users.
- e) **Maintain power tools and accessories. Check for misalignment or binding of moving parts, breakage of parts and any other condition that may affect the power tools operation. If damaged, have the power tool repaired before use.** Many accidents are caused by poorly maintained power tools.
- f) **Keep cutting tools sharp and clean.** Properly maintained cutting tools with sharp cutting edges are less likely to bind and are easier to control.
- g) Use the power tool, accessories and tool bits etc. in accordance with these instructions, taking into account the working conditions and the work to be performed. Use of the power tool for operations different from those intended could result in a hazardous situation.
- h) **Keep handles and grasping surfaces dry, clean and free from oil and grease.** Slippery handles and grasping surfaces do not allow for safe handling and control of the tool in unexpected situations.

5) Battery Tool Use and Care

- a) **Recharge only with a charger specified by the manufacturer.** A charger that is suitable for one type of battery pack may create a risk of fire when used with another battery pack.
- b) **Use power tools only with specifically designated battery packs.** Use of any other battery pack may create a risk of injury and fire.
- c) **When battery pack is not in use, keep it away from metal objects, like paper clips, coins, keys, nails, screws or other small metal objects, that can make a connection from one terminal to another.** Shorting the battery terminals together may cause burns or a fire.
- d) **Under abusive conditions, liquid may be ejected from the battery; avoid contact. If contact accidentally occurs, flush with water. If liquid contacts eyes, additionally seek medical help.** Liquid ejected from the battery may cause irritation or burns.

- e) **Do not use a battery pack or tool that is damaged or modified.** Damaged or modified batteries may exhibit unpredictable behaviour resulting in fire, explosion or risk of injury.
- f) **Do not expose a battery pack or tool to fire or excessive temperature.** Exposure to fire or temperature above 130 °C / 265 °F may cause explosion.
- g) **Follow all charging instructions and do not charge the battery pack or tool outside the temperature range specified in the instructions.** Charging improperly or at temperatures outside the specified range may damage the battery and increase the risk of fire.

6) Service

- a) **Have your power tool serviced by a qualified repair person using only identical replacement parts.** This will ensure that the safety of the power tool is maintained.
- b) **Never service damaged battery packs.** Service of battery packs should only be performed by the manufacturer or authorized service providers.

7) Safety Instructions for Reciprocating Saws

- a) **Hold the power tool by insulated gripping surfaces, when performing an operation where the cutting accessory may contact hidden wiring.** Cutting accessory contacting a "live" wire may make exposed metal parts of the power tool "live" and could give the operator an electric shock.
- b) **Use clamps or another practical way to secure and support the workpiece to a stable platform.** Holding the workpiece by hand or against your body leaves it unstable and may lead to loss of control.
- c) **Do not operate the tool with any attachment other than those recommended in this instruction manual.**
- d) **Only use the tool with the correct voltage, as specified in the tool label.**
- e) **Never start a tool under load.** Start the tool before engaging the work piece.
- f) **Never start or operate the tool with fingers or other objects through the holes in the blades.**
- g) **Use care when handling blades during and after use.** The blades and some areas of the tool become hot in use.
- h) **Always ensure that before cutting there are no hazards such as electrical wiring, pipes or insulation in the area to be cut.**
- i) **Allow for resting periods to ease the effect of the vibration of the tool.** Use work gloves to minimise vibration effect on the body.
- j) **Ensure the dust extraction equipment is connected and properly used.**
- k) **The use of any accessory or attachment other than those recommended in this instruction manual may present a risk of personal injury.**
- l) **Do not force the tool.** It is designed to operate with moderate effort. Overheating of the drive system and

motor can occur if the tool is overloaded.

m) Always operate the tool holding it with both hands.

SYMBOLS The following symbols are used in this manual and marking of this tool

	Class 2 Construction (Double Insulation used throughout, no provision for earthing.)
	Read instruction manual
	Wear hearing protection
	Wear eye protection
	Wear breathing protection
	Wear gloves
VDC	Volts direct current
Hz	Hertz
W	Watt
N ₀	No load speed
/min	Reciprocations per minute
dB	Decibels
mm	Millimetres

FUNCTIONAL DESCRIPTION

1) BA200X tool description

The BA200X is a dual blade reciprocating saw designed to cut materials such as brick, mortar, clay fired bricks, wood, turf, plasterboard and fibreboard. The BA200X uses a variety of blades to suit the material being cut.

Blades can be changed, as shown on the diagrams (i) to (iv), to suit the required depth or length of cut.

A Dust Boot (sold separately or with KIT) can easily be attached by the user following the instruction diagram (v).

The blades are driven via a belt drive designed to allow some slip in case of the blades jamming. **If excessive belt slipping occurs, re-tension the belt as shown on the diagrams (vii).**

The top and rear handle are designed for comfort when used in a variety of cutting orientations. For better handling in various cutting applications the top handle can be repositioned as shown on the diagram (vi).

2) Blade description

BLADES CAN BE INSTALLED AND REMOVED AS SHOWN IN DIAGRAMS (i) to (iv).

The BA200X uses a variety of blades to cut different materials and different profiles. Blades sold separately.

General Purpose blades use Tungsten Carbide teeth and are suited for working general masonry. General Purpose blades are designed to cut to a depth of 110mm (4 3/8").



Plunge blades use Tungsten Carbide teeth and have a maximum cutting depth of 120mm (4 3/4").



Switch Box Blades use Tungsten Carbide teeth and have a maximum cutting depth of 120mm (4 3/4"). Suitable for installing small electrical switch boxes into plaster, brick/masonry walls.



Heritage Blades Ideal for mortar removal on thin joints and heritage restoration and have a maximum cutting depth of 75mm (3").



Head joint Blades Ideal for mortar removal on vertical joints and have a maximum cutting depth of 75mm (3").



XL General Purpose Blades Cutting depth up to 170mm (6 3/4") without overcutting.



Tuckpointing Blades Used for removing the mortar between bricks in restoration work. Max. cutting Depth 35mm (1 3/8")



NOTE: Blades are a wearing part. In normal operation, blade life may vary with the hardness of materials cut.

OPERATION

1) Setup

The BA200X is supplied as a bare tool, or in a KIT containing blades, battery pack, Charger and Dust Boot, detached from the tool.

⚠ WARNING: Before installing or removing blades or dust boot, always ensure that the battery pack is disconnected and removed from the tool. Failure to do so may result in serious injury.

Mount the blades and the dust boot before using the tool following the instruction diagrams (i to v). Make sure the blades are locked and secure before switching the tool on.

NOTE: Always use matched pairs of blades. Never mix used blades with new blades

⚠ CAUTION: Do not operate the tool if the blades are loose. Operation with loose blades will severely damage the blade mount requiring repair.

2) Inserting and Removing the Battery Pack

⚠ CAUTION: Use only approved DEWALT® FLEXVOLT® 54V battery packs with your BA200X tool.

To install the battery pack into the BA200X tool:

1. Align the battery pack with the rails inside the rear of the BA200X tool (viii).
2. Slide the battery pack firmly into the tool until it is seated and ensure that you hear the lock snap into place (viii).

To remove the battery pack from the BA200X tool

1. Press the battery pack release button (4) and firmly pull the battery pack out of the tool handle (ix).
2. Insert the battery pack into the DEWALT® charger as described in the charger manual.

3) Dust extraction

The BA200X should be fitted with a Dust Boot as shown in diagram (v), and used with a dust extraction vacuum. The Dust Boot significantly reduces airborne dust exposure to the user and bystanders. The Dust Boot can be fitted and removed from the BA200X without tools, and with the blades mounted. See the instruction diagrams how to fit the Dust Boot.

The Vacuum Bracket (Item 7) on the underside of the BA200X is designed to accommodate standard dust extraction vacuums including a 35mm (1 3/8") diameter tapered vacuum and a 38mm (1 1/2") diameter vacuum fitting. Use an appropriate dust extraction system or vacuum intended for masonry dust.

NOTE: Failure to use the Dust Boot when cutting masonry materials will cause excessive wear of electrical components. Damage caused by dust will lead to premature failure of the motor, which will affect the warranty.

⚠ CAUTION: Verify that the vacuum machine being used has a filter system appropriate for the material being cut. Incorrect filtration can result in inadequate dust control and also possible damage to the vacuum machine.

4) SPECIFICATIONS

ITEM	SPECIFICATION
Cutting depth/width	120 mm (4 3/4")/7.2 mm (9/32"), depending on blade
Weight, with cutting blades	5.2 kg (11.4 lb)
Dimensions without blades	530 mm (21") L 90 mm (3.5") W 250 mm (10") H
No load speed N_0	5200 rpm
Power	2300 W
Voltage	54 VDC
Battery Type	Li-Ion (DeWALT® FLEXVOLT® ONLY)
Dust extraction vacuum hose interface	Suits vacuum hose with 35mm diameter internal taper fitting, or 38mm diameter external taper fitting.

A- Weighted sound pressure level L_{pA}	96.4 dB(A)
Uncertainty K_{pA}	3 dB(A)
A- Weighted sound power level L_{WA}	101.4 dB(A)
Uncertainty K_{WA}	3 dB(A)
Vibration emissions GP Blade ($k=1.5$)	6.4 m/s ²
Vibration emissions Plunge Blade ($k=1.5$)	4.6 m/s ²
Vibration emissions Head Joint Blade ($k=1.5$)	3.9 m/s ²

5) Operation



⚠ WARNING: Always wear protective hearing, breathing, eye and hand protection when using the BA200X tool.

⚠ CAUTION: During operation the BA200X may cause hand-arm vibration, which can result in fatigue or discomfort after long periods of continuous use. Vibration will increase with the hardness of material. Wearing gloves will also reduce hand-arm vibration.

Do not operate the tool if discomfort is experienced and ensure that sufficient rest periods are taken during cutting.

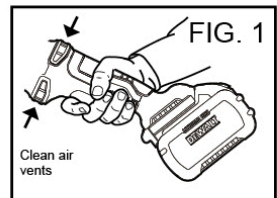
Before attempting to operate the tool, please ensure that the safety section of this manual has been consulted and the battery pack is removed.

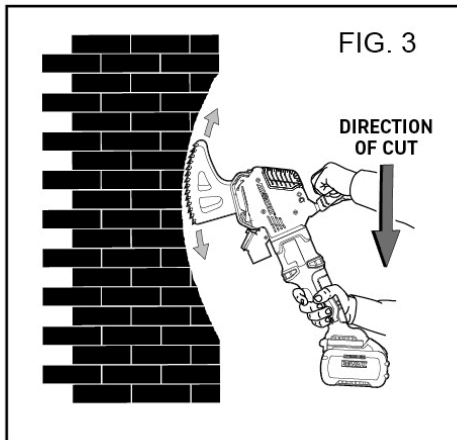
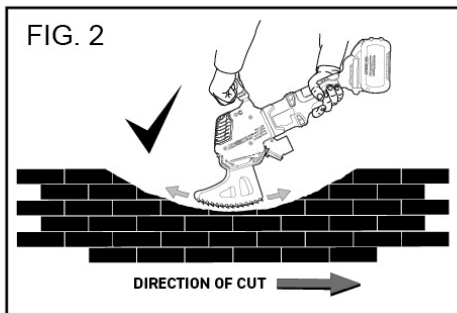
With the blades secured and the tool switch OFF, connect the battery pack.

To start the cut, hold the tool firmly in your hands and press the trigger switch. Apply the middle of the blade cutting edge to the work, keeping in mind that the direction of cut is towards the rear of the blades.

Hold the tool by both the top handle and the motor housing. While cutting, move the tool and blade in a slow sawing motion, which improves the cut rate, reduces concentrated heat build-up and evens the wear on the blades. (See Fig.2 & 3)

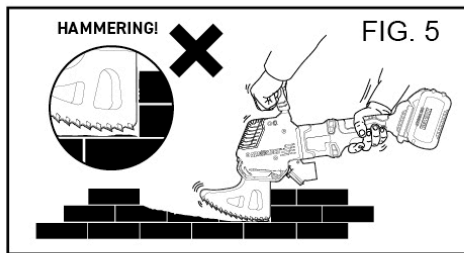
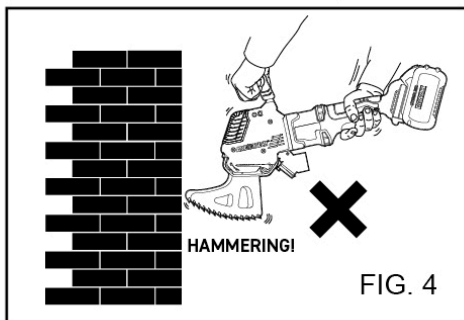
⚠ CAUTION: Do not block the air intake as this may cause the motor to overheat. If working in dusty conditions, it is recommended that the vents be regularly cleaned with an air blast. (See Fig. 1).



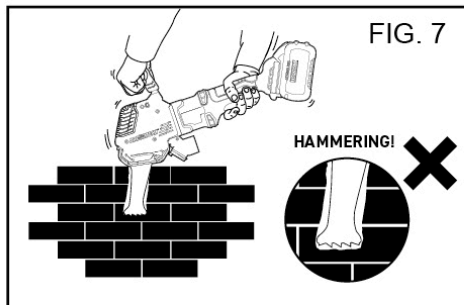
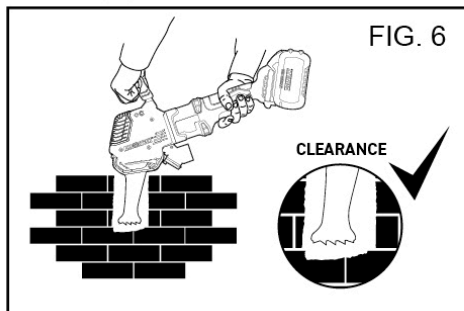


CAUTION: Do not allow the forward or rear end of the blades to hammer onto hard surfaces (shown in Fig. 4, 5 & 7) as this will damage the blades and tool. If unintentional hammering occurs, stop the tool or withdraw it from the cut immediately.

When using any of the blade types, avoid hammering of the ends of the blades into the ends of the cut by using a slow rocking and sweeping motion. For best performance try to ensure that the teeth are the only part of the blade in contact with the workpiece.



When using the Plunge blades, the cut should have enough clearance on each end (shown in Fig. 6), to ensure that no hammering of the blade ends occurs (as shown in Fig. 7).



6) Storage

Always remove the battery pack from the tool when not in use. Store the BA200X tool and battery pack in a cool, dry place, free from moisture and dust. Consult the battery pack instruction manual for further storage instructions.

BATTERY PACKS AND CHARGERS

⚠ WARNING: Always read the Instruction Manual for battery packs and chargers before use. The BA200X KIT is supplied with DEWALT® battery packs and charger, and the associated Instruction Manuals. **READ ALL INSTRUCTIONS** for these devices before use.

This tool is designed to use DEWALT® FLEXVOLT® 54V battery packs only (x). Do not attempt to use other battery packs.

The battery pack is not fully charged out of the carton. Before using the battery pack and charger, read the safety instructions and following the charging procedure

detailed in the Instruction Manual.

Charge the battery pack only in DEWALT® FLEXVOLT® chargers. Consult the Charger Instruction Manual for safe use.

Do not splash or immerse the tool, battery pack or charger in water.

Do not store or use the tool and battery pack in locations where the temperature may fall below 4°C (34°F) or reach or exceed 40°C (104°F).

Only charge the battery pack in temperatures between 4°C (34°F) and 40°C (104°F).

MAINTENANCE

⚠ WARNING: To reduce the risk of serious personal injury, turn the tool off and disconnect the battery pack from the tool before making any adjustments or removing/installing attachments or accessories.

To assure product SAFETY and RELIABILITY, repairs, maintenance and adjustment should be performed by an ARBORTECH authorised service centre. Always use identical replacement parts.

1) Motor

Cleaning

⚠ CAUTION: Blow dust and grit out of the motor and air vents as often as dust is seen collecting on these surfaces. Use only dry compressed air to clean the tool. Dust and grit particles often accumulate on interior surfaces and can cause premature failure. Failure to regularly clean the BA200X will affect the tool warranty.

⚠ CAUTION: Always wear safety glasses and a mask when cleaning this tool. Never use solvents or other harsh chemicals for cleaning the non-metallic parts of the tool. Use compressed air and a clean, dry cloth only.

Accessories

To reduce the risk of injury, only ARBORTECH accessories and approved DEWALT® battery packs and chargers, should be used with this product. Recommended accessories for use with your tool are available from your local dealer or authorised service centre.

Repairs

If the power tool is damaged, repair or replacement may be necessary. Repairs must be done by the manufacturer or an authorised service centre to avoid a safety hazard.

If you need any assistance in locating any accessory, or general tool query please contact ARBORTECH. www.arbortechtools.com

2) Belt drive

CAUTION: The belt tension should be checked if frequent belt slip occurs during use. Continuing to operate the tool with a loose belt may result in poor functionality or damage to the tool. Replacement is

required if the belt cannot be sufficiently tensioned to prevent slipping.

If tensioning is required, insert 5mm Allen key through the slot on the right-hand plastic housing and loosen up the socket screw (one turn only), then pull it upward to increase the tension and then tighten up at the new position (see the instruction diagram vii). If frequent belt slipping continues, belt replacement is required.

To replace the belt, contact your ARBORTECH authorised service centre.

3) Blades and teeth

With use, the blades will become dull and the cutting performance will decrease. Occasionally, if very hard materials are cut, or the teeth impact a hard surface at an odd angle, teeth may become chipped or broken. The blades can still be used, but cutting performance will be reduced.

If “blueing” of the blade periphery occurs, the blades are running too hot. This occurs when the blades become worn, too much force is applied or the material is too hard.

NOTE: Using sharp blades will improve the performance and longevity of the tool.

WARRANTY AND SERVICE

Arbortech provides a 12-month limited warranty for defects from workmanship or faulty materials on the motor and/or mechanism of our products from the date of original purchase.

For specific warranty details for your region, please consult the Arbortech website:

www.arbortechtools.com

For warranty repair, inspection, service and spare parts, please contact your place of purchase, or contact us directly at:

AUSTRALIA:

T: +61 (0) 8 3249 1944

E: arbortech@arbortech.com.au

EUROPE and UK

T: +49 2724 2880474

E: info@arbortech-europa.de

UK- Declaration of Conformity

Arbortech declares that the product described in this manual under "Technical Specifications" is manufactured in compliance with IEC62841 standardised documents and following UK regulations:

Supply of Machinery (Safety) Regulations 2008 -
Electromagnetic Compatibility Regulations 2016 -The
Restriction of the Use of Certain Hazardous
Substances in Electrical and Electronic Equipment
Regulations 2012

Technical file at: Arbortech Pty Ltd, 67 Westchester
Road, Malaga, WA 6090, Australia



Sven Blinks
Chief Executive Officer
Arbortech Pty Ltd

EC - Declaration of Conformity

Arbortech declares that the product described in this manual under "Technical Specifications" is manufactured in compliance with IEC62841 standardised documents and in conformity with Machinery Directives: 2006/42/EC; 2014/30/EU; 2011/65/EU.

Technical file at: Arbortech Pty. Ltd, 67 Westchester
Road, Malaga, WA 6090



Sven Blinks
Chief Executive Officer
Arbortech Pty Ltd

Disposal

The machine, accessories and packaging should be sorted for environmental-friendly recycling. Only for EC countries: Do not dispose of power tools into household waste! According to the European Directive 2012/19/EU for Waste Electrical and Electronic Equipment and its implementation into national law, power tools that are no longer usable must be collected separately and disposed of in an environmentally correct manner.





ARBORTECH PTY LTD

67 Westchester Rd, Malaga,
Perth, WA, AUSTRALIA 6090
Ph: +61 8 9249 1944
Fax: +61 8 9249 2936

ARBORTECH EUROPE GMBH

Esloher Str. 188,
57413 Finnentrop, Germany
(Germany) +49 2724 2880474

USA

30 Corporate Park Dr, Suite 210
Pembroke, MA 02359
(USA) Toll Free: (866) 517 7869

CANADA

120 Saunders Rd, Unit 4
Barrie, Ontario L4N 9A8

Email

AUS: arbortech@arbortech.com.au
EUR: info@arbortech-europa.de
USA: sales@arbortechusa.com
CANADA: salescanada@arbortechtools.com

Facebook

www.facebook.com/ArbortechTools

www.arbortechtools.com