

ARBORTECH™

MULTI PURPOSE TOOL

MINI CARVER MIN.FG.900.20B

MINI GRINDER TRADE MIN.FG.910.20B

OWNER'S INSTRUCTION MANUAL



www.arbortechtools.com/support

Fig. A

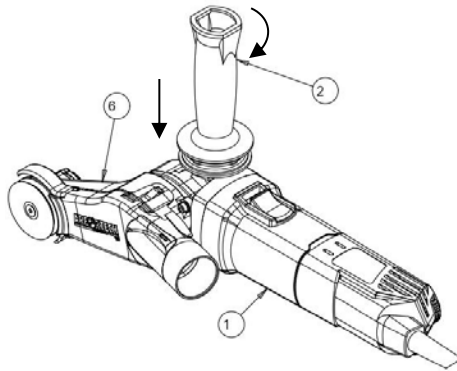


Fig. B

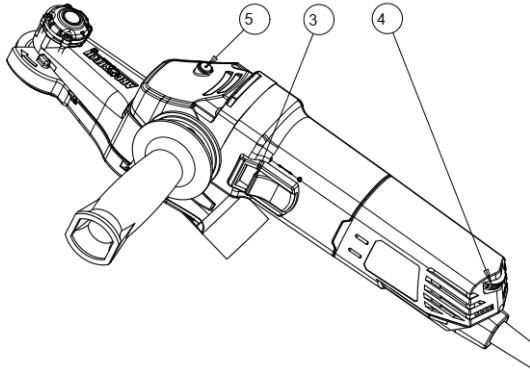


Fig. C

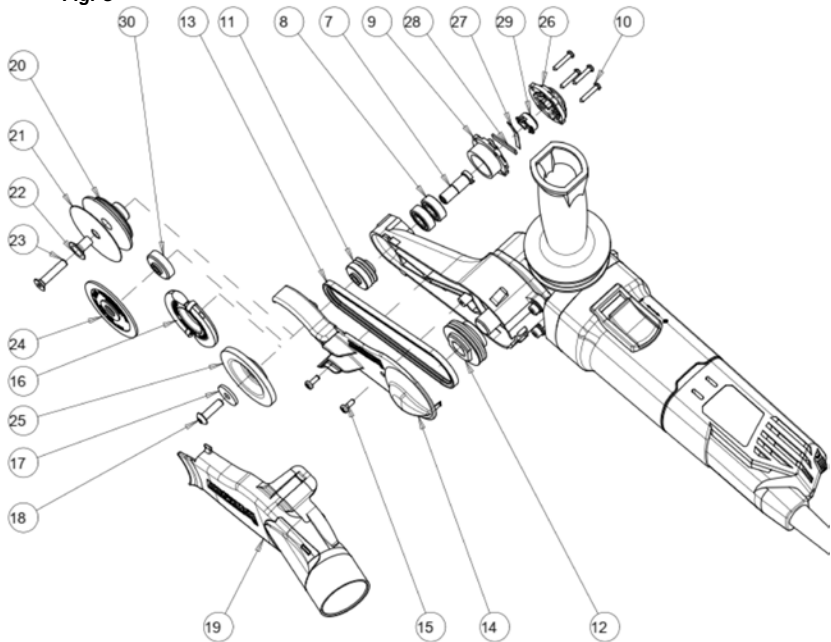


Fig. D

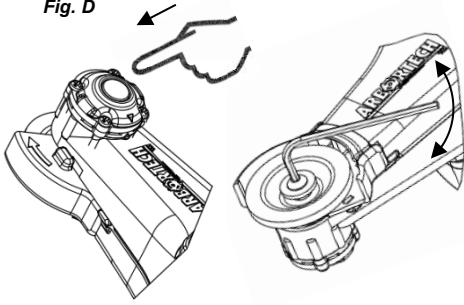


Fig. E

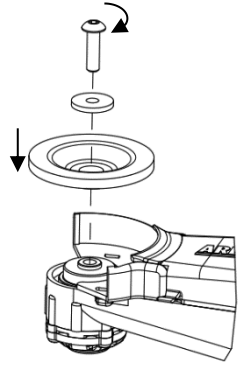


Fig. F

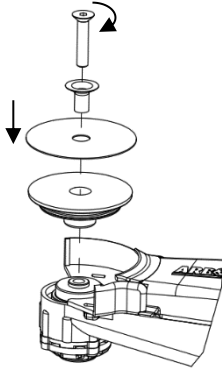


Fig. G

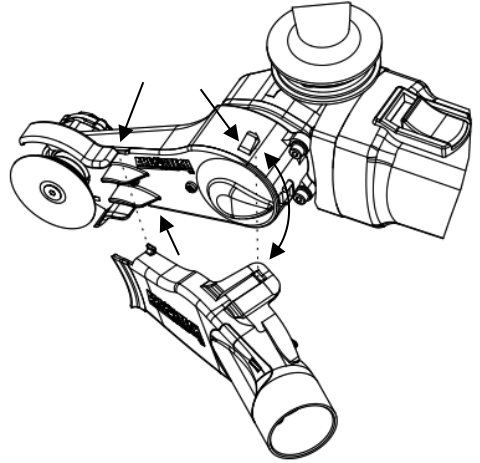


Fig. H

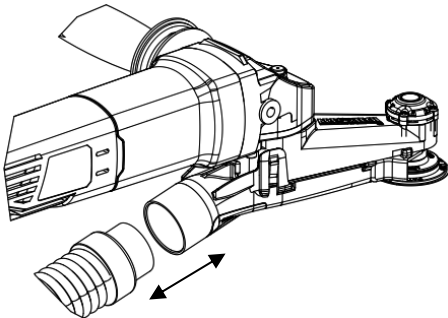


Fig. I

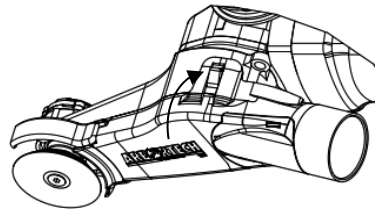


Fig. J

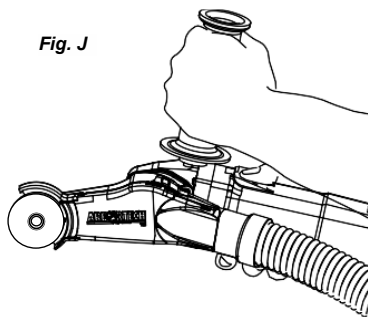


Fig. K

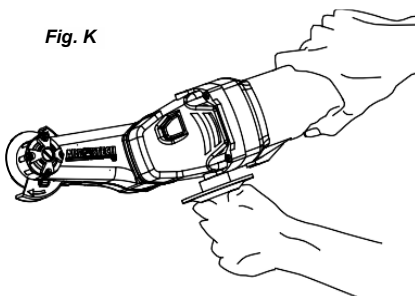


Fig. L

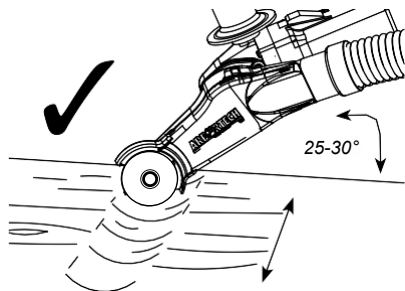


Fig. M

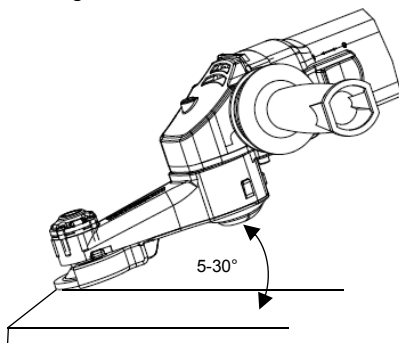


Fig. N

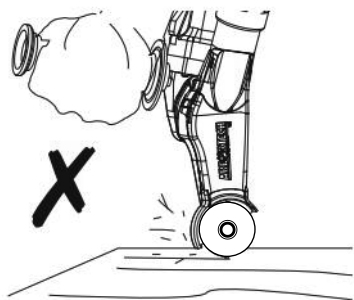


Fig. O

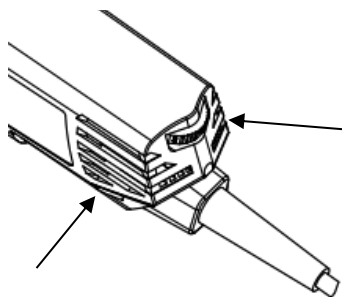


Fig. P

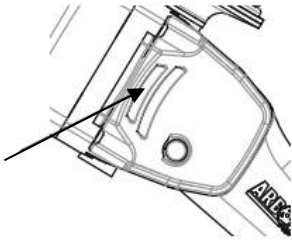


Fig. Q

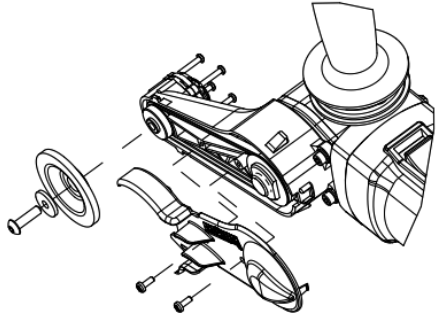


Fig. R

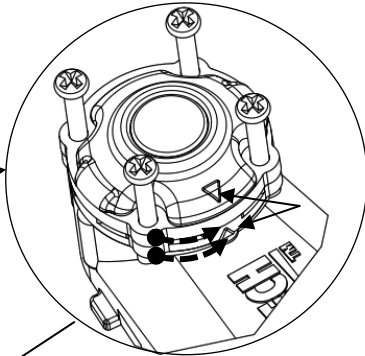
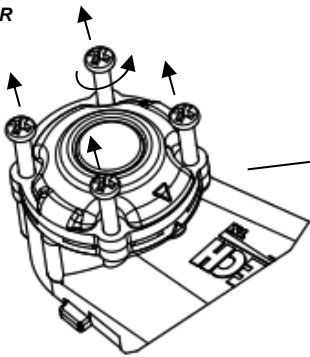


Fig. S

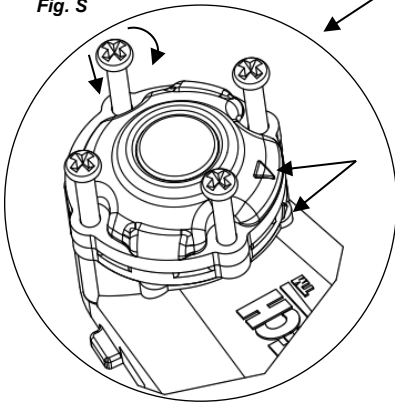
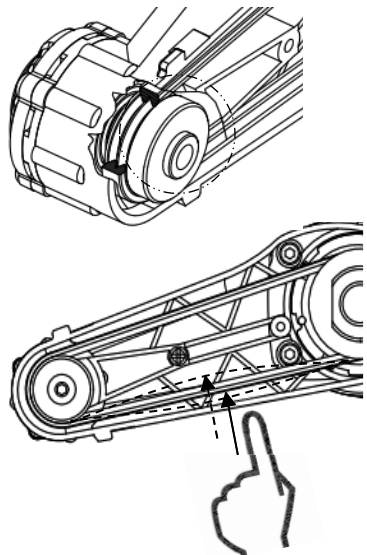


Fig. T





GENERAL POWER TOOL SAFETY WARNINGS



WARNING - READ ALL SAFETY WARNINGS, INSTRUCTIONS, ILLUSTRATIONS AND SPECIFICATIONS PROVIDED WITH THIS POWER TOOL.

Failure to follow all instructions listed below, may result in electric shock, fire and/or personal injury.

SAVE ALL WARNINGS AND INSTRUCTIONS FOR FUTURE REFERENCE.

The term "power tool" in the warnings refers to your mains-operated (corded) power tool or battery-operated (cordless) power tool.

1) WORK AREA SAFETY

- Keep work area well ventilated, clean and well lit.** Cluttered or dark areas invite accidents.
- Do not operate power tools in explosive atmospheres, such as in the presence of flammable liquids, gases or dust.** Power tools create sparks which may ignite the dust or fumes.
- Keep children and bystanders away while operating a power tool.** Distractions can cause you to lose control.

2) ELECTRICAL SAFETY

- Power tool plugs must match the outlet.** Never modify the plug in any way. Do not use any adapter plugs with earthed (grounded) power tools. Unmodified plugs and matching outlets will reduce risk of electric shock.
- Avoid body contact with earthed or grounded surfaces, such as pipes, radiators, ranges and refrigerators.** There is an increased risk of electric shock if your body is earthed or grounded.
- Do not expose power tools to rain or wet conditions. Water entering a power tool will increase the risk of electric shock.**
- Do not abuse the cord. Never use the cord for carrying, pulling, or unplugging the power tool. Keep cord away from heat, oil, sharp edges or moving parts.** Damaged or entangled cords increase the risk of electric shock.
- When operating a power tool outdoors, use an extension cord suitable for outdoor use.** Use of a cord suitable for outdoor use reduces the risk of electric shock.

- If operating a power tool in a damp location is unavoidable, use a residual current device (RCD) protected supply.** Use of an RCD reduces the risk of electric shock.

3) PERSONAL SAFETY

- Stay alert, watch what you are doing and use common sense when operating a power tool. Do not use a power tool while you are tired or under the influence of drugs, alcohol or medication.** A moment of inattention while operating power tools may result in serious personal injury.
- Use personal protective equipment. Always wear eye protection.** Protective equipment such as dust mask, non-skid safety shoes, hard hat or hearing protection used for appropriate conditions will reduce personal injuries.
- Prevent unintentional starting. Ensure the switch is in the off-position before connecting to a power source and/or battery pack, picking up or carrying the tool.** Carrying power tools with your finger on the switch or energizing power tools that have the switch on invites accidents.
- Remove any adjusting key or wrench before turning the power tool on.** A wrench or a key left attached to a rotating part of the power tool may result in personal injury.
- Do not overreach. Keep proper footing and balance at all times.** This enables better control of the power tool in unexpected situations.
- Dress properly. Do not wear loose clothing or jewellery. Keep your hair, clothing and gloves away from moving parts.** Loose clothes, jewellery or long hair can be caught in moving parts.
- If devices are provided for the connection of dust extraction and collection facilities, ensure these are connected and properly used.** Use of dust collection can reduce dust-related hazards.
- Do not let familiarity gained from frequent use of tools allow you to become complacent and ignore tool safety.** A careless action can cause severe injuries within a fraction of a second.

4) POWER TOOL USE AND CARE

- Do not force the power tool. Use the correct tool for your application.** The correct power tool will do the job better and safer at the rate for which it was designed.
- Do not use the tool if the switch does not turn it on and off.** Any power tool that cannot be controlled with the switch is dangerous and must be repaired.
- Disconnect the plug from the power source and/or the battery pack from the power tool before making any adjustments, changing accessories, or storing power tools.** Such preventative safety measures reduce the risk of starting the power tool accidentally.

- d. **Store idle power tools out of the reach of children and do not allow persons unfamiliar with the power tool or these instructions to operate the power tool.** Power tools are dangerous in the hands of untrained users.
 - e. **Maintain power tools and accessories. Check for misalignment or binding of moving parts, breakage of parts and any other condition that may affect the power tools operation. If damaged, have the power tool repaired before use.** Many accidents are caused by poorly maintained power tools.
 - f. **Keep cutting tools sharp and clean.** Properly maintained cutting tools with sharp edges are less likely to bind and are easier to control.
 - g. **Use the power tool, accessories and tool bits etc. in accordance with these instructions, taking into account the working conditions and the work to be performed.** Use of the power tool for operations different from those intended could result in a hazardous situation.
 - h. **Keep handles and grasping surfaces dry, clean and free from oil and grease.** Slippery handles and grasping surfaces do not allow for safe handling and control of the tool in unexpected situations.
- e. **The outside diameter and the thickness of your accessory must be within the capacity rating of your power tool.** Incorrectly sized accessories cannot be adequately guarded or controlled.
 - f. **Threaded mounting of accessories must match the grinder spindle thread.** For accessories mounted by flanges, the arbour hole of the accessory must fit the locating diameter of the flange. Accessories that do not match the mounting hardware of the power tool will run out of balance, vibrate excessively and may cause loss of control.
 - g. **Do not use a damaged accessory. Before each use inspect the accessory such as abrasive wheels for chips and cracks, backing pad for cracks, tear or excess wear, wire brush for loose or cracked wires. If power tool or accessory is dropped, inspect for damage or install an undamaged accessory. After inspecting and installing an accessory, position yourself and bystanders away from the plane of the rotating accessory and run the power tool at maximum no-load speed for one minute.** Damaged accessories will normally break apart during this test time.
 - h. **Wear personal protective equipment. Depending on application, use face shield, safety goggles or safety glasses. As appropriate, wear dust mask, hearing protectors, gloves and workshop apron capable of stopping small abrasive or workpiece fragments.** The eye protection must be capable of stopping flying debris generated by various operations. The dust mask or respirator must be capable of filtering particles generated by your operation. Prolonged exposure to high intensity noise may cause hearing loss.

5) SERVICE

- a. **Have your power tool serviced by a qualified repair person using only identical replacement parts. This will ensure that the safety of the power tool is maintained.**

MINI CARVER SAFETY WARNINGS

SAFETY WARNINGS COMMON FOR GRINDING, SANDING OR WOOD CARVING OPERATIONS:

- a. **This power tool is intended to function as a grinder, sander or wood carver tool. Read all safety warnings, instructions, illustrations and specifications provided with this power tool.** Failure to follow all instructions listed below may result in electric shock, fire and/or serious injury.
- b. **Operations such as polishing wire brushing or cut-off are not recommended to be performed with this power tool.** Operations for which the power tool was not designed may create a hazard and cause personal injury.
- c. **Do not use accessories which are not specifically designed and recommended by the tool manufacturer.** Just because the accessory can be attached to your power tool, it does not assure safe operation.
- d. **The rated speed of the accessory must be at least equal to the maximum speed marked on the power tool.** Accessories running faster than their rated speed can break and fly apart.
- i. **Keep bystanders a safe distance away from work area. Anyone entering the work area must wear personal protective equipment.** Fragments of workpiece or of a broken accessory may fly away and cause injury beyond immediate area of operation.
- j. **Hold the power tool by insulated gripping surfaces only, when performing an operation where the cutting accessory may contact hidden wiring or its own cord.** Cutting accessory contacting a "live" wire may make exposed metal parts of the power tool "live" and could give the operator an electric shock.
- k. **Position the cord clear of the spinning accessory.** If you lose control, the cord may be cut or snagged and your hand or arm may be pulled into the spinning accessory.
- l. **Never lay the power tool down until the accessory has come to a complete stop.** The spinning accessory may grab the surface and pull the power tool out of your control.
- m. **Do not run the power tool while carrying it at your side.** Accidental contact with the spinning accessory could snag your clothing, pulling the accessory into your body.
- n. **Regularly clean the power tool's air vents.** The motor's fan will draw the dust inside the housing and excessive accumulation of powdered metal

may cause electrical hazards.

- o. **Do not operate the power tool near flammable materials.** Sparks could ignite these materials.
- p. **Do not use accessories that require liquid coolants.** Using water or other liquid coolants may result in electrocution or shock.

KICKBACK AND RELATED WARNINGS

Kickback is a sudden reaction to a pinched or snagged rotating wheel, backing pad, brush or any other accessory.

Pinching or snagging causes rapid stalling of the rotating accessory which in turn causes the uncontrolled power tool to be forced in the direction opposite of the accessory's rotation at the point of the binding. For example, if an abrasive wheel is snagged or pinched by the workpiece, the edge of the wheel that is entering into the pinch point can dig into the surface of the material causing the wheel to climb out or kick out. The wheel may either jump toward or away from the operator, depending on direction of the wheel's movement at the point of pinching. Abrasive wheels may also break under these conditions. Kickback is the result of power tool misuse and/or incorrect operating procedures or conditions and can be avoided by taking proper precautions as given below.

- a. **Maintain a firm grip on the power tool and position your body and arm to allow you to resist kickback forces. Always use auxiliary handle, if provided, for maximum control over kickback or torque reaction during start-up.** The operator can control torque reactions or kickback forces, if proper precautions are taken.
- b. **Never place your hand near the rotating accessory.** Accessory may kickback over your hand.
- c. **Do not position your body in the area where power tool will move if kickback occurs.** Kickback will propel the tool in direction opposite to the wheel's movement at the point of snagging.
- d. **Use special care when working corners, sharp edges etc. Avoid bouncing and snagging the accessory.** Corners, sharp edges or bouncing have a tendency to snag the rotating accessory and cause loss of control or kickback.
- e. **Do not attach a saw chain wood carving blade or toothed saw blade.** Such blades create frequent kickback and loss of control.
- f. **Do not attach reinforced abrasive cut-off wheel.** Such tools can break-off and cause injuries.

SAFETY WARNINGS SPECIFIC FOR GRINDING OPERATIONS:

- a. **Use only wheel types that are recommended for your power tool and the specific guard designed for the selected wheel.** Wheels for which the power tool was not designed cannot be adequately guarded and are unsafe.
- b. **The grinding surface of centre depressed wheels must be mounted below the plane of the guard lip.** An improperly mounted wheel that projects through the plane of the guard lip cannot be adequately protected.
- c. **The guard must be securely attached to the power tool and positioned for maximum safety, so the least amount of wheel is exposed towards the operator.** The guard helps to protect the operator from broken wheel fragments, accidental contact with wheel and sparks that could ignite clothing.
- d. **Wheels must be used only for recommended applications. For example: do not grind with the side of cut-off wheel.** Abrasive cut-off wheels are intended for peripheral grinding, side forces applied to these wheels may cause them to shatter.
- e. **Always use undamaged wheel flanges that are of correct size and shape for your selected wheel.** Proper wheel flanges support the wheel thus reducing the possibility of wheel breakage. Flanges for cut-off wheels may be different from grinding wheel flanges.
- f. **Do not use worn down wheels from larger power tools.** Wheel intended for larger power tool is not suitable for the higher speed of a smaller tool and may burst.

ADDITIONAL SAFETY WARNINGS SPECIFIC FOR SANDING OPERATIONS:

- a. **Do not use excessively oversized sanding disc paper.** Follow manufacturers recommendations, when selecting sanding paper. Larger sanding paper extending beyond the sanding pad presents a laceration hazard and may cause snagging, tearing of the disc or kickback.
- b. **Adjust the Mini Carver speed as recommended for sanding applications.** High speed sanding presents laceration and burning hazard.

ADDITIONAL SAFETY WARNINGS



Wear hearing protection; Wear eye protection; Wear dust mask; Wear protective gloves.

- a. **Use suitable detectors to determine if utility lines are hidden in the work area or call the local utility company for assistance.** Contact

with electric lines can lead to fire and electric shock. Damaging a gas line can lead to explosion. Penetrating a water line causes property damage or may cause an electric shock.

- b. **Release the On/Off switch and set it to the off position when the power supply is interrupted, e. g., in case of a power failure or when the mains plug is pulled.**
- c. **Do not touch grinding and cutting discs before they have cooled down.** The discs can become very hot while working.
- d. **Secure the workpiece.** A workpiece clamped with clamping devices or in a vice is held more secure than by hand.

KNOWING YOUR TOOL

PRODUCT DESCRIPTION AND SPECIFICATIONS



Read all safety warnings and all instructions, Failure to follow the warnings and instructions may result in electric shock, fire and/or serious injury.

INTENDED USE

The Mini Carver is intended for grinding, carving, and sanding of metal, stone and wood without use of water.

Note: Text, diagrams and data are correct at time of printing. In the interests of continuous improvement of our products, technical specifications are subject to alteration without prior notice.

For working with applications on materials that create dust use dust extraction accessories.

Mini Carver		US/CAN
Voltage	V	120
Power rating	A (W)	8 (960W)
Frequency	Hz	60
Protection class	II	II
Rated speed	Rpm	6000-18000
Tool diameter	inch (mm)	2" (54mm)
Mounting bore size	inch (mm)	3/8" (9.5mm)
Mounting screw size		M5
Weight	lbs (kg)	4.4 (2kg)

UNPACKING AND ASSEMBLY

Inspect to ensure that no damage has occurred to the tool and accessories during transport. If damaged, report to the retailer immediately.

Remove the auxiliary handle from the box and attach to the tool. (Fig. A)

The Mini Carver is packaged with a Mini Pro Blade fitted, ready for use. Ensure that the clamping screw (18) is always fully tightened before use.

PRODUCT FEATURES AND LIST OF COMPONENTS

ITEM	Features and components
1	Mini Carver/Mini Grinder Trade Body
2	Auxiliary handle
3	ON/OFF Switch
4	Speed control
5	Drive Lock button
6	Extension arm
7	Mini shaft
8	Bearings
9	Bearing cap
10	Pan screw 4g
11	Small Pulley
12	Large Pulley
13	Belt
14	Guard cover
15	Pan screw 6g
16	Mini Pro Blade ¹
17	Clamping Washer
18	Clamping screw M5
19	Dust extraction cover
20	Sanding Pad
21	Sandpaper
22	Clamping Bush
23	Countersunk screw
24	Diamond Cutting Disc ²
25	Grinding Wheel ²
26	Spindle lock - cover
27	Leaf spring
28	Locking bar
29	Locking button
30	Blade Spacer ²

¹ Included with Mini Carver

² Included with Mini Grinder Trade

PRODUCT FEATURES AND LIST OF COMPONENTS

Fig. A, Fig. B, Fig. C

MOUNTING TOOLS AND ACCESSORIES




WARNING: To reduce the risk of serious personal injury, turn the tool off and disconnect from the power source before making any adjustments or removing/ installing tools or accessories.

1. REPLACING CARVING AND GRINDING DISCS

Press the Locking button (29) to prevent rotation, then remove the clamping screw (18) using the Allen Key provided with the tool (Fig. D). Replace the blade with other Arbortech recommended product as shown on the following diagrams.

Place the new disc over the small pulley, ensuring it is properly centered and seated flat against the pulley face. Place the clamping washer (17) over the disc then insert and tighten the clamping screw (18) in order as shown (Fig. E). Ensure the marks on the disc are visible and arrow of rotation is pointing in the same direction as the arrow on the back of the guard.

 **WARNING:** Failure to properly mount the discs over the pulley could result in serious injuries or damage the tool.

2. MOUNTING THE SANDING PAD

Follow the steps to remove the disc prescribed above (step 1).

First position the sand paper (21) over the sanding pad (20) then insert countersunk screw (23) into the clamping bush (22) and together insert them into the sanding pad centre hole. Next insert the sanding pad over the small pulley (11) (Fig. F) and tighten the screw onto the mini shaft.


3. MOUNTING THE DUST EXTRACTION

To fit-on the dust extraction, first insert the front lugs of the Dust Extraction Cover (19) under the Guard Cover cut-outs, then push down the rear end to snap the latches over the Extension Arm side lugs as shown in Fig.G. Fit the vacuum cleaner hose into the Dust extraction hole (Fig. H). Dust extraction fits hose size Ø35mm.

To remove the Dust Extraction Cover pull the dust extraction latch sideways from the extension arm and then pull out in reverse direction.

WARNING:

- To reduce the risk of personal injury always use dust extraction.
- Provide for sufficient dust extraction when cutting masonry materials.
- The vacuum cleaner must be approved for vacuuming masonry dust
- Wear a dust respirator .
- The machine may be used only for dry cutting/ grinding.

 **WARNING: ALWAYS WEAR CORRECT SAFETY CLOTHING, INCLUDING EAR, EYE AND LUNG PROTECTION.**

DO NOT use under the wet conditions or in presence of flammable liquids and gasses.

CAUTION: Use correct personal protection equipment when working on materials treated or containing toxic substances and follow local government safety regulations.

OPERATION

Always use two hands to operate the Mini Carver, placing the left hand on the auxiliary handle and the right on the tool body (Fig. J)

Ensure the machine is running BEFORE contacting the material, to be worked on. To sand, grind or

woodcarving, hold the Mini Carver as shown in Fig. K

CUTTING GRIP

Use the Mini Pro Blade to cut or remove wood and plastics.

Use the Mini Sanding Pads for cleaning and sanding wood, plastics, metal, paint and much more.

Use the diamond blade for cutting and recessing any masonry based material.

STARTING OPERATION

Observe correct mains voltage! The voltage of the power source must agree with the voltage specified on the nameplate of the machine. Power tools marked with 230-240V can also be operated with 220 V.

SHOWING ANGLE & DIRECTION OF CUT

25-30° is a comfortable working angle.

Use the bottom edge of the blade (as shown in Fig.L / M) and not as in Fig.N.

SWITCHING ON AND OFF

To start the power tool, push the On/Off switch (3) forwards.

To lock the On/Off switch (3), press the On/Off switch (3) down at the front until it latches.

To switch off the power tool, release the On/Off switch (3), or if it is locked, briefly push down the back of the On/Off switch (3) and then release it.

- Check grinding tools before using. The grinding tool must be mounted properly and be able to move freely.

Test run the grinder with no load prior use. Do not use damaged, out-of-centre or vibrating tools.

 **CAUTION:**

Restarting protection – The restarting protection feature prevents uncontrolled restarting of the machine after an interruption in the power supply. To restart the operation, switch the On/Off switch (3) to the off position and start the machine again.

 **WARNING:**

- Always read the safety instructions and applicable regulations
- Support and secure the work piece to prevent movement and loss of control.
- Do not exert pressure or strain the machine so heavily that it comes to a standstill.

- After heavily straining the power tool, continue to run it at no-load for several minutes to cool down the accessory.
- Do not touch grinding and cutting discs before they have cooled down. The discs can become very hot while working.

DO NOT OVER TENSION THE BELT

Note: clean surroundings with a soft cloth or small brush.



TOOL	POWER SETTINGS	APPLICATION
Mini Pro Blade ¹	5-6	Wood carving
Diamond Disc ²	5-6	Grinding masonry material
Grinding Disc ²	5-6	Grinding metal
Sanding Pad	1-3	Sanding wood, metal and other materials. Use lower speed for higher grit sandpaper

¹ Included with Mini Carver

² Included with Mini Grinder Trade

MAINTENANCE



WARNING: BEFORE ANY ADJUSTMENT, CLEANING OR WORK ON THE MACHINE ITSELF, DISCONNECT FROM THE POWER SUPPLY.

CLEANING THE GRILLS AND SWITCH

Regularly check to see if any dust or foreign matter has entered the grills positioned on the front and back of the motor (fig. O and P) or under ON/OFF switch (Fig. A).

If so use a soft brush to remove any accumulated dust. to clean grills and switch.

TENSIONING OR REPLACING THE BELT

Unplug the Mini Carver/Mini Grinder Trade.

Remove the blade and the guard cover (14) then lift the back side of the guard cover and slide the cover back and lift off (Fig.Q). Unscrew the 4 screws (10) (fig. R), until the bearing cap (9) and spindle lock cover (26) can rotate inside the arm.

Rotate the components 9 and 26 together anticlockwise (Fig R) until the screws align with the next hole position in the arm (Fig S). This will make the small pulley to move and create tension in the belt. Ensure the belt is correctly positioned over the pulleys as shown in (Fig. T) and the small pulley is fully inserted onto the spindle.

When tensioning is finished tighten the screws. Then secure the guard cover onto the arm and install the blade.



CONSIGNES DE SÉCURITÉ GÉNÉRALES PROPRES AUX OUTILS ÉLECTRIQUES



AVERTISSEMENT : VEUILLEZ CONSULTER TOUTES LES ILLUSTRATIONS ET LIRE TOUTES LES INSTRUCTIONS, TOUTES LES SPÉCIFICATIONS ET TOUS LES AVERTISSEMENTS DE SÉCURITÉ FOURNIS AVEC CET OUTIL ÉLECTRIQUE.

Tout manquement aux directives et consignes ci-incluses comporte des risques de décharges électriques, d'incendie et/ou de dommages corporels graves.

CONSERVER TOUTES CES DIRECTIVES ET CONSIGNES À TITRE DE RÉFÉRENCE

Le terme « outil électrique » mentionné dans les avertissements ci-après se rapporte aux outils alimentés sur secteur (avec fil) ou par piles (sans fil).

1) SÉCURITÉ – AIRE DE TRAVAIL

- Maintenir l'aire de travail propre et bien éclairée. Les lieux sombres ou encombrés sont propices aux accidents.**
- Ne pas utiliser un outil électrique dans un milieu déflagrant, comme en présence de liquides, gaz ou poussières inflammables.** Les outils électriques peuvent produire des étincelles qui pourraient enflammer toute émanation ou poussière ambiante.
- Maintenir à l'écart les enfants, ou toute autre personne, lors de l'utilisation d'un outil électrique.** Toute distraction pourrait faire perdre la maîtrise de l'appareil.

2) SÉCURITÉ – ÉLECTRICITÉ

- La fiche électrique de l'outil doit correspondre à la prise murale. Ne modifier la fiche en aucune façon. Ne pas utiliser de fiche d'adaptation avec un outil électrique mis à la terre (masse).** L'utilisation de fiches d'origine et de prises appropriées réduira tout risque de décharges électriques
- Éviter tout contact corporel avec des éléments mis à la terre comme : tuyaux, radiateurs, cuisinières ou réfrigérateurs.** Les risques de décharges électriques augmentent lorsque le corps est mis à la terre.
- Ne pas exposer les outils électriques à la pluie ou à l'humidité.** Tout contact d'un outil électrique avec un liquide augmente les risques de décharges électriques.

- Ne pas utiliser le cordon de façon abusive. Ne jamais utiliser le cordon pour transporter, tirer ou débrancher un outil électrique. Protéger le cordon de toute source de chaleur, de l'huile, et de tout bord tranchant ou pièce mobile.** Les cordons endommagés ou emmêlés augmentent les risques de décharges électriques
- En cas d'utilisation d'un outil électrique à l'extérieur, utiliser systématiquement une rallonge conçue à cet effet.** Cela diminuera tout risque de décharges électriques.
- Si on ne peut éviter d'utiliser un outil électrique en milieu humide, utiliser un circuit protégé par un dispositif de courant résiduel (RCD).** Cela réduira tout risque de décharges électriques.

3) SÉCURITÉ INDIVIDUELLE

- Rester systématiquement vigilant et faire preuve de jugement lorsqu'on utilise un outil électrique. Ne pas utiliser d'outil électrique en cas de fatigue ou sous l'influence de drogues, d'alcool ou de médicaments.** Tout moment d'inattention pendant l'utilisation d'un outil électrique comporte des risques de dommages corporels graves.
- Porter un équipement de protection individuel. Porter systématiquement un dispositif de protection oculaire.** Le fait de porter un masque anti-poussières, des chaussures antidérapantes, un casque de sécurité ou un dispositif de protection auditive, lorsque la situation le requiert, réduira les risques de dommages corporels.
- Prévenir tout démarrage accidentel. S'assurer que l'interrupteur est en position d'arrêt avant de brancher l'outil sur le secteur et/ou à la batterie, ou de le ramasser ou le transporter.** Transporter un outil le doigt sur l'interrupteur ou brancher un outil électrique alors que l'interrupteur est en position de marche invite les accidents.
- Retirer toute clé de réglage avant de démarrer l'outil.** Une clé laissée sur une pièce rotative d'un outil électrique comporte des risques de dommages corporels.
- Adopter un position stable. Maintenir les pieds bien ancrés au sol et conserver son équilibre en permanence.** Cela permettra de mieux maîtriser l'outil électrique en cas de situations imprévues.
- Porter des vêtements appropriés. Ne porter aucun vêtement ample ou bijou. Maintenir cheveux, vêtements et gants à l'écart des pièces mobiles, car ils pourraient s'y faire prendre.**
- Lorsqu'un dispositif de connexion à un système de dépoussiérage ou d'élimination est fourni, s'assurer qu'il est branché et utilisé correctement.** L'utilisation de ces dispositifs peut réduire les risques engendrés par les poussières.
- Ne laissez pas la familiarité acquise avec l'utilisation des outils vous pousser à sous-estimer leur sécurité.** Une action négligente peut causer des blessures graves en une fraction de seconde.

4) UTILISATION ET ENTRETIEN DES OUTILS ÉLECTRIQUES

- a. **Ne pas forcer un outil électrique. Utiliser l'outil approprié au travail en cours. L'outil approprié effectuera un meilleur travail, de façon plus sûre et à la vitesse pour laquelle il a été conçu.**
- b. **Ne pas utiliser un outil électrique dont l'interrupteur est défectueux.** Tout appareil dont l'interrupteur est défectueux est dangereux et doit être réparé.
- c. **Débrancher la fiche du secteur et/ou la batterie de l'outil électrique avant d'effectuer tout réglage, de changer tout accessoire, ou avant de le ranger.** Ces mesures préventives réduiront tout risque de démarrage accidentel de l'appareil.
- d. **Après utilisation, ranger les outils électriques hors de portée des enfants et ne permettre à aucune personne non familière avec son fonctionnement (ou sa notice d'instructions) de l'utiliser.** Les outils peuvent être dangereux entre des mains inexpérimentées.
- e. **Entretenir les outils électriques. Vérifier les pièces mobiles pour s'assurer qu'elles sont bien alignées et tournent librement, qu'elles sont en bon état et ne sont affectées d'aucune condition susceptible de nuire au bon fonctionnement de l'outil. En cas de dommage, faire réparer l'outil électrique avant toute nouvelle utilisation.** De nombreux accidents sont causés par des outils mal entretenus
- f. Maintenir tout organe de coupe propre et bien affûté. Les outils de coupe bien entretenus et affûtés sont moins susceptibles de se coincer et sont plus faciles à contrôler
- g. **Utiliser un outil électrique, ses accessoires, mèches, etc., conformément aux présentes directives et suivant la manière prévue pour ce type particulier d'outil électrique, en tenant compte des conditions de travail et de la tâche à effectuer.** L'utilisation d'un outil électrique à des fins autres que celles prévues est potentiellement dangereuse.
- h. **Gardez les poignées et les surfaces de préhension sèches, propres et exemptes d'huile et de graisse.** Les poignées glissantes et les surfaces de préhension ne permettent pas une manipulation et un contrôle sûrs de l'outil dans des situations imprévues.

5) RÉPARATION

- a. **Faire entretenir les outils électriques par un réparateur qualifié en n'utilisant que des pièces de rechange identiques.** Cela permettra de préserver l'intégrité de l'outil électrique et la sécurité de l'utilisateur.



MINI CARVER RÈGLES PARTICULIÈRES DE SÉCURITÉ ADDITIONNELLES

AVERTISSEMENTS DE SÉCURITÉ USUELS POUR LES OPÉRATIONS DE MEULAGE, DE SABLAGE ET DE SCULPTURE SUR BOIS:

- a. **Cet outil électrique est destiné à être utilisé comme outil de meulage, de sablage ou de sculpture sur bois. Veuillez consulter toutes les illustrations et lire toutes les instructions, toutes les spécifications et tous les avertissements de sécurité fournis avec cet outil électrique.** Ne pas respecter l'ensemble des instructions mentionnées ci-dessous pourrait entraîner une décharge électrique, un incendie et/ou de graves blessures.
- b. **Les opérations telles que le polissage ne sont pas recommandées avec cet outil électrique.** Toute opération pour laquelle l'outil n'a pas été conçu comporte des risques de dommages matériels et corporels
- c. **Ne pas utiliser des accessoires qui n'ont pas été spécifiquement conçus et recommandés par le fabricant de l'outil.** Le fait que l'accessoire peut être rattaché à l'outil électrique ne veut pas automatiquement dire que son utilisation ne posera aucun risque.
- d. **La vitesse nominale des accessoires doit être équivalente ou supérieure à celle recommandée sur l'étiquette d'avertissement de l'outil.** Les accessoires utilisés à une vitesse plus rapide que leur vitesse nominale peuvent éclater ou se détacher de l'outil.
- e. **Le diamètre externe et l'épaisseur de l'accessoire utilisé doivent se conformer aux spécifications de la plaque signalétique de l'outil électrique.** Les accessoires aux spécifications incorrectes ne peuvent être ni maintenus ni contrôlés de façon adéquate.
- f. **Le filetage de montage des accessoires doit correspondre à celui de l'axe de la meuleuse. Pour les accessoires montés avec des brides, l'alésage de l'accessoire doit correspondre au diamètre de positionnement de la bride.** Les accessoires qui ne correspondent pas au dispositif de montage de l'outil électrique ne tournent pas correctement, vibrent de façon excessive et peuvent provoquer la perte de contrôle de l'outil.
- g. **Ne pas utiliser d'accessoires endommagés. Avant toute utilisation, vérifier tous les accessoires, par exemple que les meules abrasives ne sont ni ébréchées ni fendues, les tampons de soutien ne sont ni fendus ni usés excessivement, les brosses métalliques ne comportent aucun élément brisé ou lâche. En cas de chute, vérifier que l'outil n'a pas**

été endommagé et remplacer tout accessoire abîmé. Après avoir inspecté et installé un accessoire, se situer, soi-même et tout individu présent, hors du plan de rotation de l'accessoire et laisser tourner l'outil une minute à sa vitesse à vide maximale. En général, tout accessoire endommagé se brisera lors du temps d'essai.

- h. **Porter un équipement de protection individuel.** Selon l'application, utiliser une protection faciale et des lunettes ou un masque de protection. Si approprié, porter un masque anti-poussières, une protection auditive, des gants et un tablier d'atelier capables de vous protéger contre toute projection abrasive ou tout fragment. La protection oculaire doit être capable d'arrêter toute projection de débris engendrés par des opérations diverses. Le masque anti-poussières doit être capable de filtrer les particules engendrées par l'opération en cours. Toute exposition prolongée à un haut niveau de décibels peut occasionner une perte de l'acuité auditive
- i. **Maintenir à distance toute personne étrangère au travail en cours. Toute personne à l'intérieur de l'aire de travail doit porter un équipement de protection individuel.** Des débris provenant de la pièce à travailler ou d'un accessoire brisé pourraient être éjectés et causer des dommages corporels au-delà de l'aire de travail immédiate.
- j. **Ne tenez l'outil que par ses surfaces de préhension isolées lorsque vous réalisez une opération pendant laquelle l'accessoire de coupe peut entrer en contact avec des câbles cachés ou son propre cordon électrique.** Tout contact de l'accessoire de coupe avec un fil sous tension peut mettre les parties métalliques exposées de l'outil sous tension et provoquer un choc électrique à l'utilisateur.
- k. **Maintenir le cordon électrique éloigné de la partie rotative de l'outil.** En cas de perte de contrôle, le cordon pourrait être sectionné ou abîmé, et les bras ou mains pourraient entrer en contact avec l'organe rotatif
- l. **Attendre systématiquement l'arrêt complet de l'outil avant de le déposer.** L'organe rotatif pourrait s'accrocher à la surface utilisée et rendre l'outil dangereusement imprévisible.
- m. **Ne pas laisser l'outil électrique en marche alors qu'il est accroché à votre côté.** Tout contact accidentel de l'organe rotatif pourrait faire que ce dernier s'accroche aux vêtements et qu'un accessoire entre en contact avec le corps.
- n. **Nettoyer régulièrement les orifices d'aération de l'outil.** Le ventilateur du moteur attirera de la poussière à l'intérieur du boîtier et une accumulation excessive de poussières métalliques pourrait poser des risques d'électrocution/incendie.
- o. **Ne pas utiliser cet outil électrique à proximité de matériaux inflammables,** car des étincelles pourraient les enflammer

- p. **Ne pas utiliser d'accessoires nécessitant l'utilisation d'un réfrigérant fluide.** L'utilisation d'eau ou de tout autre réfrigérant fluide pourrait poser des risques d'électrocution ou de décharges électriques.

MISES EN GARDE CONCERNANT LES CHOCS EN RETOUR

Les rebonds sont la conséquence du grippage ou coinçage d'une meule, d'un tampon de soutien, d'une brosse en rotation ou de tout autre accessoire. Tout grippage ou coinçage causera rapidement le blocage de l'accessoire en rotation, ce qui lancera l'outil non contrôlé dans la direction opposée à l'accessoire en rotation au point du grippage. Par exemple, si une meule abrasive reste accrochée ou pincée dans une pièce à travailler, le bord de la meule engagée au point de grippage peut s'enfoncer dans la surface du matériau et faire tressauter ou rebondir la meule. La meule peut alors rebondir vers ou à l'opposé de l'utilisateur, selon la direction du mouvement de la meule au point de grippage. Dans ces conditions, il peut aussi arriver que les meules abrasives se brisent. Les rebonds proviennent d'une utilisation impropre de l'outil ou de conditions ou procédures d'exécution incorrectes, et peuvent être évités en prenant les précautions adéquates énoncées ci-dessous:

- a. **Maintenir la scie fermement en positionnant le corps et les bras de façon à pouvoir résister à toute force de rebonds.** Utiliser systématiquement la poignée latérale, si fournie avec l'outil, pour un contrôle maximal de l'outil en cas de rebonds ou retour de couple au démarrage. L'utilisateur peut contrôler le retour de couple ou les forces de rebonds si des précautions adéquates sont prises
- b. **Ne jamais approcher les mains de l'organe rotatif.** L'accessoire pourrait rebondir sur les mains
- c. **Ne pas positionner le corps dans l'espace que pourrait occuper l'outil en cas de rebonds.** Les rebonds projeteront l'outil dans la direction opposée au mouvement de la meule au point de grippage.
- d. **Prendre des précautions supplémentaires pour travailler des coins, des bords acérés, etc. Éviter que l'accessoire sursaute ou reste accroché.** Les coins, bords acérés ou les sursauts ont tendance à retenir l'accessoire en rotation et causer la perte de contrôle de l'outil, ou des rebonds.
- e. **Ne pas rattacher une lame à chaîne coupante, à sculpter ou une lame dentée.** Ces lames posent des risques de rebonds fréquents et de perte de contrôle de l'outil
- f. **N'attachez pas de meule de tronçonnage abrasive renforcée.** De tels outils peuvent se détacher et entraîner des blessures.

CONSIGNES SPÉCIFIQUES DE SÉCURITÉ PROPRES AU POLISSAGE ET AU TRONÇONNAGE ABRASIF

- Utiliser uniquement des types de meules recommandés pour votre outil électrique ainsi que le carter spécifiquement conçu pour la meule choisie.** Les meules non conçues pour un outil électrique ne peuvent être adéquatement protégées et sont dangereuses.
- La surface de meulage des disques à moyeu déporté doit être montée sous le plat de la lèvre du carter.** Un disque mal monté qui dépasse du bord du carter de protection ne peut pas être correctement protégé.
- Le carter doit être soigneusement fixé à l'outil électrique et placé de façon à optimiser la sécurité, afin que l'utilisateur soit le moins possible exposé au disque.** Le carter doit protéger l'utilisateur contre des fragments de disques cassés, le contact accidentel avec ces derniers et des étincelles qui pourraient enflammer les vêtements.
- Les meules ne doivent être utilisées que pour les applications recommandées. Par exemple : ne pas meuler avec la partie latérale d'une meule à tronçonner.** Les meules à tronçonner ont été conçues pour le meulage périphérique, toute force latérale appliquée sur ces meules pourrait les faire éclater.
- Utiliser systématiquement des brides de meules en parfait état, de taille et forme adaptées à la meule choisie.** Les brides de meules servent de support aux meules, réduisant ainsi les possibilités que la meule se brise. Les brides de meules à tronçonner peuvent différer des brides de disques à meuler.
- Ne pas utiliser de meules émoussées lors de leur utilisation sur des outils électriques plus gros.** Les meules conçues pour des outils électriques plus gros ne sont pas adéquates pour les vitesses plus rapides des outils plus petits, et risqueraient d'éclater.

CONSIGNES SPÉCIFIQUES DE SÉCURITÉ PROPRES AU PONÇAGE

- Ne pas utiliser des disques de papier abrasif de taille excessive. Suivre les recommandations du fabricant lors de la sélection du papier à poncer.** Les feuilles de papier abrasif de grande taille, dépassant du tampon ponçeur, posent des risques de laceration, et peuvent faire que le disque s'accroche ou se déchire, ou causer des rebonds.
- Ajustez la vitesse du Mini Carver comme recommandé pour les applications de sablage.** Un sablage à haute vitesse entraîne des risques de laceration et de brûlure.

AVERTISSEMENTS DE SÉCURITÉ SUPPLÉMENTAIRES



Portez une protection auditive, une protection oculaire, un masque anti-poussière et des gants de protection.

- Utilisez des détecteurs appropriés afin de déterminer si des lignes de gaz, d'eau ou autres sont cachées dans la zone de travail, ou appelez le fournisseur local concerné pour obtenir de l'aide.** Entrer en contact avec des lignes électriques peut entraîner un incendie ou une décharge électrique. Endommager une ligne de gaz peut provoquer une explosion. Pénétrer une ligne d'eau peut entraîner des dommages matériels ou une décharge électrique.
- Relâchez l'interrupteur ON/OFF et mettez-le en position OFF si l'alimentation électrique est interrompue, par exemple en cas de coupure d'électricité ou lorsque la prise secteur est débranchée.
- Ne touchez pas les disques de meulage et de coupe avant qu'ils aient refroidi. Les disques peuvent devenir très chauds lorsqu'ils fonctionnent.
- Sécurisez la pièce de travail. Une pièce de travail fixée avec des dispositifs de serrage sera maintenue de façon plus sécuritaire que si vous la maintenez en place à la main.

CONNAÎTRE VOTRE OUTIL

DESCRIPTION ET SPÉCIFICATIONS DU PRODUIT



Veillez lire tous les avertissements de sécurité et toutes les instructions. Ne pas respecter l'ensemble des avertissements et instructions pourrait entraîner une décharge électrique, un incendie et/ou de graves blessures.

Homologation australienne SGS

UTILISATION CONFORME

Le Mini Carver est destiné à être utilisé pour meuler, sculpter et sabler le métal, la pierre et le bois sans eau.

Veillez noter : le texte, les données et les schémas sont corrects au moment de l'impression. Dans l'intérêt de l'amélioration constante de nos produits, les spécifications techniques peuvent faire l'objet de modifications sans notification préalable.

Si vous travaillez avec des applications ou matériaux qui génèrent de la poussière, utilisez des accessoires d'aspiration de la poussière.

Mini Carver		US/CAN
Alimentation	V	120
Puissance nominale	A (W)	8 (960W)
La fréquence	Hz	60
Classe de protection	II	II
Vitesse nominale	Rpm	6000-18000
Diamètre de l'outil	inch (mm)	2" (54mm)
Taille de l'alésage	inch (mm)	3/8" (9.5mm)
Taille de la vis de montage		M5
Poids	lbs (kg)	4.4 (2kg)

DÉBALLAGE ET MONTAGE

Inspectez le matériel afin de vous assurer que l'outil et ses accessoires n'ont pas été endommagés pendant le transport. Veuillez immédiatement notifier le revendeur de tout dommage.

Ôtez la poignée auxiliaire (29) de la boîte et attachez-la à l'outil. (Fig. A)

Le Mini Carver est fourni avec une lame Mini Pro adaptée et prête à l'emploi. Assurez-vous que la

vis de fixation (18) est toujours bien serrée avant l'utilisation.

CARACTÉRISTIQUES DU PRODUIT ET LISTE DES COMPOSANTS

ITEM	Caractéristiques et composants
1	Corps du Mini Carver/Mini Grinder Trade
2	Poignée auxiliaire
3	Bouton ON/OFF
4	Contrôle de la vitesse
5	Bouton « Drive Lock »
6	Bras d'extension
7	Mini arbre
8	Paliers
9	Chapeau de palier
10	Vis cylindrique 4g
11	Petite poulie
12	Grande poulie
13	Courroie
14	Capot de protection
15	Vis cylindrique 6g
16	Lame Mini Pro ¹
17	Rondelle de serrage
18	Vis de fixation M5
19	Capot d'aspiration de la poussière
20	Patin de sablage
21	Papier de sablage
22	Douille de serrage
23	Vis à tête fraisée
24	Disque de coupe diamant ²
25	Roue de meulage ²
26	Verrou de broche - couvercle
27	Ressort à lames
28	Barre de verrouillage
29	Bouton de verrouillage
30	Entretouille de lame ²

¹ Inclus avec Mini Carver

² Inclus avec Mini Grinder Trade

CARACTÉRISTIQUES DU PRODUIT ET LISTE DES COMPOSANTS

Fig. A, Fig. B, Fig. C

OUTILS ET ACCESSOIRES DE MONTAGE



AVERTISSEMENT : pour réduire le risque de blessures corporelles graves, éteignez l'outil et débranchez-le de la source de courant avant de faire toute modification ou avant de retirer/d'installer des outils ou accessoires.

1. REMPLACEMENT DES DISQUES DE SCULPTURE ET DE MEULAGE

Press the Locking button (29) to prevent rotation, then remove the clamping screw (18) using the Allen Key provided with the tool (Fig. D). Remplacez la lame par une autre recommandée par Arbortech, comme montré sur les schémas suivants.

Placez le nouveau disque sur la petite poulie en vous assurant qu'il est bien centré et mis à plat contre la poulie. Placez la rondelle de serrage (17) sur le disque, puis insérez et serrez la vis de fixation (18) comme indiqué sur la fig. E. Assurez que les marquages sur le disque sont visibles et que la flèche de rotation pointe dans la même direction que la flèche à l'arrière de la protection.



AVERTISSEMENT : ne pas monter les disques correctement sur la poulie pourrait entraîner de graves blessures ou endommager l'outil.

2. MONTAGE DU PATIN DE SABLAGE

Suivez les étapes décrites ci-dessus pour retirer le disque (étape 1).

Commencez par positionner le papier de sablage (21) sur le patin de sablage (20), puis insérez la vis à tête fraisée (23) dans la douille de serrage (22), et insérez-les ensemble dans le trou au centre du patin de sablage. Ensuite, insérez le patin de sablage sur la petite poulie (11) (fig. F) et serrez la vis sur le mini arbre.

3. MONTAGE DU DISPOSITIF D'ASPIRATION DE LA POUSSIÈRE

Pour installer le dispositif d'aspiration de la poussière, commencez par insérer les ergots avant du capot d'aspiration de la poussière (19) sous les découpes du capot de protection, puis poussez l'extrémité arrière vers le bas pour encliqueter les loquets sur les ergots latéraux du bras d'extension, comme montré sur la fig. G. Insérez le tuyau d'aspirateur dans le trou d'aspiration de la poussière (fig. H). Le dispositif d'aspiration de la poussière est adapté à un tuyau de Ø 35 mm.

Pour retirer le capot d'aspiration de la poussière, tirez le loquet d'aspiration de la poussière latéralement hors du bras d'extension, puis tirez dans la direction opposée.

AVERTISSEMENT :

- Pour réduire le risque de dommages corporels, utilisez toujours un dispositif d'aspiration de la poussière.
- Faites en sorte que l'aspiration de la poussière soit suffisante lorsque vous découpez des matériaux de maçonnerie.
- L'aspirateur doit être homologué pour aspirer la poussière de maçonnerie.
- Portez un masque anti-poussière.
- Utilisez la machine exclusivement pour découper/meuler sans eau.



AVERTISSEMENT : PORTEZ TOUJOURS DES VÊTEMENTS DE SÉCURITÉ APPROPRIÉS, Y COMPRIS DES PROTECTIONS AUDITIVES, OCULAIRES ET RESPIRATOIRES.

N'UTILISEZ PAS la machine dans des conditions humides ou en présence de liquides et de gaz inflammables.

ATTENTION : utilisez un équipement de protection individuelle adéquat lorsque vous travaillez sur des matériaux traités avec des substances toxiques ou en contenant, et respectez les dispositions de sécurité officielles locales.

UTILISATION

Utilisez toujours le Mini Carver à deux mains, en plaçant la main gauche sur la poignée auxiliaire et la main droite sur le corps de l'outil (fig. J). Veillez à mettre la machine en marche **AVANT** de la mettre en contact avec le matériau sur lequel vous allez travailler. Pour sabler, meuler ou sculpter du bois, tenez le Mini Carver comme montré sur la fig. K.

ADHÉRENCE DE COUPE

Utilisez la lame Mini Pro pour couper ou retirer du bois ou du plastique.

Utilisez les patins de sablage Mini pour nettoyer et sabler du bois, du plastique, du métal, de la peinture et bien d'autres matériaux.

Utilisez la lame diamant pour couper et creuser tout matériau de maçonnerie.

DÉBUT DE L'UTILISATION

Respectez le voltage du secteur ! Le voltage de la source de courant doit correspondre au voltage mentionné sur la plaque signalétique de la machine. Les outils électriques portant le marquage 230-240 V peuvent aussi être utilisés à du 220 V.

INDICATION DE L'ANGLE ET DE LA DIRECTION DE COUPE

25-30° est un angle de travail confortable.

Utilisez le bord inférieur de la lame (comme indiqué sur les fig. L/M) et pas comme sur la fig. N.

MISE SOUS TENSION ET HORS TENSION

Pour démarrer l'outil électrique, poussez le bouton ON/OFF 3 vers l'avant.

Pour verrouiller le bouton ON/OFF (3), poussez l'avant du bouton (3) vers le bas jusqu'à ce qu'il s'encliquette.

Pour éteindre l'outil électrique, relâchez le bouton ON/OFF (3), ou, s'il est verrouillé, poussez brièvement l'arrière du bouton ON/OFF (3), puis débloquez-le.

- Vérifiez les outils de meulage avant de les utiliser. L'outil de meulage doit être monté correctement et doit pouvoir bouger librement.

Avant d'utiliser la meuleuse, testez-la sans y appliquer de charge. N'utilisez pas les outils s'ils sont endommagés, décentrés ou s'ils vibrent.



ATTENTION:

Protection anti redémarrage : la protection anti-redémarrage empêche un redémarrage non voulu de la machine après une interruption de l'alimentation électrique. **Pour recommencer à utiliser l'outil, mettez le bouton ON/OFF (3) en position OFF et redémarrez la machine.**



AVERTISSEMENT:

- **Lisez toujours les instructions de sécurité et les réglementations applicables.**
- **Soutenez et sécurisez la pièce de travail afin de l'empêcher de bouger et d'éviter d'en perdre le contrôle.**
- **N'exercez pas de pression ou de tension sur la machine à un point tel que cela entraîne son arrêt.**
- **Après avoir exercé une forte tension sur l'outil électrique, continuez à l'utiliser sans aucune charge pendant quelques minutes afin de permettre à l'accessoire de refroidir.**
- **Ne touchez pas les disques de meulage et de coupe avant qu'ils aient refroidi. Les disques peuvent devenir très chauds lorsqu'ils fonctionnent.**

OUTIL	RÉGLAGE DE PUISSANCE	UTILISATION
Lame Mini Pro ¹	5-6	Sculpture sur bois
Disque diamant ²	5-6	Meulage de matériaux de maçonnerie
Disque de meulage ²	5-6	Meulage de métal
Patin de sablage	1-3	Sablage de bois, de métal et d'autres matériaux Diminuez la vitesse de la machine si vous utilisez du papier de sablage au grain plus épais.

¹ Inclus avec Mini Carver

² Inclus avec Mini Grinder Trade

ENTRETIEN



AVERTISSEMENT : AVANT DE FAIRE TOUTE MODIFICATION, DE NETTOYER LA MACHINE OU DE L'UTILISER, DÉCONNECTEZ-LA DE LA SOURCE DE COURANT.

NETTOYAGE DES GRILLES ET DU BOUTON ON/OFF

Regardez régulièrement s'il y a de la poussière ou un corps étranger dans les grilles qui se trouvent à l'avant et à l'arrière du moteur (fig. O et P) et sous le bouton ON/OFF (fig. A).

Si c'est le cas, utilisez une brosse douce pour évacuer la poussière qui s'est accumulée, et ainsi, nettoyer les grilles et le bouton ON/OFF.

TENDRE OU REMPLACER LA COURROIE

Débranchez le Mini Carver/Mini Grinder Trade.

Retirez la lame et le couvercle de protection (14), puis soulevez l'arrière du couvercle de protection et faites glisser le couvercle vers l'arrière et soulevez-le (Fig.Q). Dévisser les 4 vis (10) (fig. R), jusqu'à ce que le chapeau de palier (9) et le couvercle de verrouillage de broche (26) puissent tourner à l'intérieur du bras.

Faites tourner les composants 9 et 26 ensemble dans le sens inverse des aiguilles d'une montre (Fig R) jusqu'à ce que les vis s'alignent avec la position du trou suivant dans le bras (Fig S). Cela fera bouger la petite poulie et créera une tension dans la courroie. Assurez-vous que la courroie est correctement positionnée sur les poulies comme indiqué sur (Fig. T) et que la petite poulie est complètement insérée sur la broche.

Une fois la tension terminée, serrez les vis. Fixez ensuite le couvercle de protection sur le bras et installez la lame.

NE TENDEZ PAS TROP LA COURROIE

Veuillez noter : nettoyez la zone environnante à l'aide d'un chiffon doux ou d'une petite brosse.

**Pour obtenir des accessoires
& des pièces détachées,
consultez le site
www.arbortechtools.com**

*Le fabricant se réserve le droit de modifier les spécifications sans notification préalable.

**Veuillez noter : les spécifications peuvent différer selon les pays.

VEUILLEZ NOTER : il est possible que le moteur soit différent de celui représenté sur la boîte, en fonction des spécifications en vigueur dans votre pays.

ARBORTECH™

**ARBORTECH PTY LTD 67 WESTCHESTER ROAD
MALAGA 6090**

PERTH WESTERN AUSTRALIA
Tel: 08 9249 1944 Fax: 08 9249 2936

U.S.A. -Tollfree: 866-517-7869
U.S.A Office: 978-466-7945 U.S.A Fax: 866-515-8104
EUROPE: Tel: +49 2724-288301 Fax: +49 2724-205515

**www.arbortechtools.com
Facebook: @arbortechtools
Email: arbortech@arbortech.com.au**



ADVERTENCIAS DE SEGURIDAD GENERALES PARA HERRAMIENTAS ELÉCTRICAS



ADVERTENCIA - LEA TODAS LAS ADVERTENCIAS DE SEGURIDAD, INSTRUCCIONES, ILUSTRACIONES Y ESPECIFICACIONES PROPORCIONADAS CON ESTA HERRAMIENTA ELÉCTRICA.

El incumplimiento de las advertencias e instrucciones podría provocar una descarga eléctrica, un incendio y/o lesiones graves.

CONSERVE TODAS LAS ADVERTENCIAS E INSTRUCCIONES PARA FUTURAS CONSULTAS

El término "herramienta eléctrica" que aparece en las advertencias se refiere a la herramienta eléctrica que funciona a través de la red eléctrica (con cable) o a la herramienta eléctrica que funciona con batería (sin cable).

1) SEGURIDAD EN EL ÁREA DE TRABAJO

- Mantenga el área de trabajo limpia y bien iluminada.** Las áreas en desorden u oscuras pueden provocar accidentes.
- No utilice herramientas eléctricas en atmósferas explosivas, como ambientes donde haya polvo, gases o líquidos inflamables.** Las herramientas eléctricas originan chispas que pueden inflamar el polvo o los gases.
- Mantenga alejados a los niños y a las personas que estén cerca mientras utiliza una herramienta eléctrica.** Las distracciones pueden ocasionar que pierda el control

2) SEGURIDAD ELÉCTRICA

- Los enchufes de las herramientas eléctricas deben corresponderse con la toma de corriente. No modifique nunca el enchufe de ninguna forma. No utilice ningún enchufe adaptador con herramientas eléctricas conectadas a tierra.** Los enchufes no modificados y las tomas de corriente correspondientes reducirán el riesgo de descarga eléctrica.
- Evite el contacto del cuerpo con superficies conectadas a tierra como tuberías, radiadores, cocinas económicas y frigoríficos.** Existe un mayor riesgo de descarga eléctrica si tiene el cuerpo conectado a tierra.

- No exponga las herramientas eléctricas a la lluvia ni a condiciones húmedas.** Si entra agua a una herramienta eléctrica aumentará el riesgo de descarga eléctrica.
- No someta el cable de alimentación a presión innecesaria. No use nunca el cable para transportar, tirar de la herramienta eléctrica o desenchufarla.** Mantenga el cable alejado del calor, aceite, bordes afilados y piezas en movimiento. Los cables dañados o enredados aumentan el riesgo de descarga eléctrica.
- Cuando esté utilizando una herramienta eléctrica al aire libre, use un cable alargador adecuado para uso en exteriores.** La utilización de un cable adecuado para el uso en exteriores reduce el riesgo de descarga eléctrica.
- Si no puede evitar utilizar una herramienta eléctrica en un lugar húmedo, use un suministro protegido con un dispositivo de corriente residual.** El uso de un dispositivo de corriente residual reduce el riesgo de descarga eléctrica.

3) SEGURIDAD PERSONAL

- Manténgase alerta, esté atento a lo que hace y use el sentido común cuando utilice una herramienta eléctrica. No maneje una herramienta eléctrica cuando esté cansado o bajo los efectos de drogas, medicamentos o alcohol.** Un momento de falta de atención cuando se manejan las herramientas eléctricas puede ocasionar lesiones personales graves.
- Use un equipo protector personal. Utilice siempre protección ocular.** El uso del equipo protector como mascarillas antipolvo, calzado antideslizante, casco o protección auditiva para condiciones apropiadas reducirá las lesiones personales.
- Evite la puesta en funcionamiento involuntaria. Asegúrese de que el interruptor esté en posición de apagado antes de conectar con la fuente de alimentación y/o la batería, de levantar o transportar la herramienta.** El transportar herramientas eléctricas con el dedo puesto en el interruptor o herramientas eléctricas activadoras que tengan el interruptor encendido puede provocar accidentes.
- Saque toda llave de ajuste o llave inglesa antes de encender la herramienta eléctrica.** Una llave inglesa u otra llave que se deje puesta en una pieza en movimiento de la herramienta eléctrica pueden ocasionar lesiones personales.
- No intente extender las manos demasiado. Mantenga un apoyo firme sobre el suelo y conserve el equilibrio en todo momento.** Esto permite un mejor control de la herramienta eléctrica en situaciones inesperadas.
- Vístase debidamente. No se ponga ropa suelta o joyas. Mantenga el pelo, la ropa y los guantes alejados de las piezas móviles.** La ropa suelta, las joyas y el pelo largo pueden quedar atrapados en las piezas en movimiento.

- g. **Si se suministran dispositivos para la conexión del equipo de extracción y recogida de polvo, asegúrese de que estén conectados y de que se usen adecuadamente.** El uso de equipo de recogida de polvo puede reducir los riesgos relacionados con el polvo.
- h. **Evite que el conocimiento adquirido por el uso frecuente de herramientas le induzca a volverse complaciente e ignorar la seguridad de herramientas.** Una acción descuidada puede causar lesiones graves en fracciones de segundo.

4) USO Y CUIDADO DE LAS HERRAMIENTAS ELÉCTRICAS

- a. **No fuerce la herramienta eléctrica. Use la herramienta eléctrica correcta para su trabajo.** La herramienta eléctrica correcta funcionará mejor y con mayor seguridad si se utiliza de acuerdo con sus características técnicas.
- b. **No utilice la herramienta eléctrica si no puede encenderse y apagarse con el interruptor.** Toda herramienta eléctrica que no pueda controlarse con el interruptor es peligrosa y debe ser reparada.
- c. **Desconecte el enchufe de la fuente de alimentación y/o la batería de la herramienta eléctrica antes de realizar ajustes, cambiar accesorios o guardar las herramientas eléctricas.** Dichas medidas de seguridad preventivas reducen el riesgo de poner en marcha la herramienta eléctrica accidentalmente.
- d. **Guarde las herramientas eléctricas que no esté utilizando fuera del alcance de los niños y no permita que utilicen la herramienta eléctrica las personas que no estén familiarizadas con ella o con estas instrucciones.** Las herramientas eléctricas son peligrosas en manos de personas no capacitadas.
- e. **Ocúpese del mantenimiento de las herramientas eléctricas. Compruebe si hay desalineación o bloqueo de las piezas en movimiento, rotura de piezas y otras condiciones que puedan afectar el funcionamiento de la herramienta eléctrica. Si la herramienta eléctrica está dañada, llévela para que sea reparada antes de utilizarla.** Se ocasionan muchos accidentes por el mal mantenimiento de las herramientas eléctricas.
- f. **Mantenga las herramientas para cortar afiladas y limpias.** Hay menos probabilidad de que las herramientas para cortar con bordes afilados se bloqueen y son más fáciles de controlar
- g. **Use la herramienta eléctrica, los accesorios y las brocas de la herramienta etc., conforme a estas instrucciones teniendo en cuenta las condiciones de trabajo y el trabajo que vaya a realizarse.** El uso de la herramienta eléctrica para operaciones que no sean las previstas puede ocasionar una situación peligrosa
- h. **Mantenga las asas y las superficies de agarre secas, limpias y exentas de aceite y grasa.** Las asas y superficies de agarre resbaladizas impiden un manejo y control seguros de la herramienta en situaciones inesperadas.

5) SERVICIO

- a. **Lleve su herramienta eléctrica para que sea reparada por una persona cualificada para realizar las reparaciones que use sólo piezas de recambio idénticas.** Así se asegurará que se mantenga la seguridad de la herramienta eléctrica.

MINI CARVER ADVERTENCIAS DE SEGURIDAD

ADVERTENCIAS DE SEGURIDAD COMUNES PARA OPERACIONES DE RECTIFICADO, LIJADO O TALLADO DE MADERA:

- a. Esta herramienta eléctrica está concebida para funcionar como rectificadora, lijadora o herramienta de tallado de madera. Lea todas las advertencias de seguridad, instrucciones, ilustraciones y especificaciones proporcionadas con esta herramienta eléctrica. La inobservancia de todas las instrucciones enumeradas abajo puede provocar descargas eléctricas, incendios y/o lesiones graves.
- b. **No se recomienda el uso de esta herramienta eléctrica para operaciones de pulido.** Su uso para operaciones para las que la herramienta no ha sido diseñada puede ocasionar peligro y lesiones personales.
- c. **No utilizar accesorios que no estén diseñados y recomendados específicamente por el fabricante de la herramienta.** El hecho de que el accesorio pueda acoplarse a la herramienta eléctrica no garantiza un funcionamiento sin riesgos
- d. **La velocidad prevista del accesorio debe ser como mínimo igual a la velocidad máxima marcada en la herramienta eléctrica.** Los accesorios que funcionen más rápido que su velocidad prevista pueden romperse y salir volando.
- e. **El diámetro externo y el grosor del accesorio deben estar dentro de la capacidad de su herramienta eléctrica.** Los accesorios de tamaño incorrecto no pueden protegerse o controlarse adecuadamente.
- f. **El montaje a rosca de accesorios debe coincidir con la rosca del eje de la amoladora. Para los accesorios instalados por bridas, el orificio del eje del accesorio debe adaptarse al diámetro de la brida.** Los accesorios que no se corresponden con las piezas de montaje de la herramienta eléctrica se desequilibrarán, vibrarán excesivamente y pueden causar pérdida de control.

- g. **No utilice un accesorio dañado.** Antes de cada uso inspeccione el accesorio, como por ejemplo la muela abrasiva, para verificar si tiene muescas o grietas, el plato portadiscos para verificar si tiene grietas o roturas o si está muy desgastado, la escobilla de alambre para comprobar si tiene alambres sueltos o agrietados. Si se cae la herramienta eléctrica o un accesorio, inspecciónelos para comprobar si están dañados o instale un accesorio no dañado. Después de inspeccionar e instalar un accesorio, colóquense usted y las personas presentes alejados del plano del accesorio en funcionamiento a la velocidad sin carga máxima durante un minuto. Los accesorios dañados normalmente se romperán durante este periodo de prueba.
- h. **Póngase un equipo de protección personal.** Dependiendo de la aplicación, use un protector facial y gafas protectoras. Si corresponde, póngase una mascarilla antipolvo, protectores para el oído, guantes y un delantal de trabajo que pueda detener pequeños fragmentos abrasivos o de la pieza de trabajo. La protección ocular debe poder detener las partículas volantes que se producen con varias operaciones. La mascarilla antipolvo o el respirador deben poder filtrar las partículas generadas por la operación que esté realizando. La exposición prolongada al ruido de intensidad elevada puede causar pérdida auditiva.
- i. **Mantenga a las personas que estén cerca a una distancia de seguridad del área de trabajo. Todos los que entren al área de trabajo deben llevar puesto un equipo de protección personal.** Los fragmentos de una pieza de trabajo o de un accesorio roto pueden salir volando y ocasionar una lesión mas allá del área inmediata de operación.
- j. **Aferre la herramienta eléctrica solo por las superficies de agarre aisladas cuando realice una operación en la cual el accesorio de corte pudiera entrar en contacto con cables ocultos o con su propio cable.** El contacto del accesorio de corte con un cable cargado, puede cargar las partes metálicas expuestas de la herramienta eléctrica y producir una descarga eléctrica al operador.
- k. **Coloque el cable lejos del accesorio giratorio.** Si pierde el control, el cable puede cortarse o engancharse y puede arrastrar a la mano o el brazo hacia el accesorio giratorio.
- l. **No deje nunca a un lado la herramienta eléctrica hasta que el accesorio se haya parado por completo.** El accesorio giratorio puede agarrarse a la superficie y hacer que usted pierda el control de la herramienta.
- m. **No ponga en funcionamiento la herramienta eléctrica mientras la transporte a su lado.** El contacto accidental con el accesorio giratorio podría hacer que se enganche la ropa y que el accesorio toque su cuerpo.
- n. **Limpie periódicamente los orificios de ventilación de la herramienta eléctrica.** El ventilador del motor traerá el polvo dentro de la caja protectora y la acumulación excesiva del metal en polvo puede ocasionar riesgos eléctricos.
- o. **No utilice la herramienta eléctrica cerca de materiales inflamables.** Las chispas podrían prender fuego a estos materiales.
- p. **No utilice accesorios que requieran líquidos refrigerantes.** El utilizar agua u otros refrigerantes líquidos puede ocasionar electrocución o descarga.

CAUSAS Y PREVENCIÓN DE REBOTE POR PARTE DEL OPERADOR

El rebote es una reacción repentina al quedar enganchados o atrapados una muela, plato portadiscos, cepillo u otro accesorio en movimiento. Al engancharse o quedar presionado un accesorio en movimiento, este se detiene rápidamente y a su vez causa que la herramienta eléctrica no controlada quede forzada en dirección opuesta a la rotación del accesorio en el punto del trabado. Por ejemplo, si una muela abrasiva se engancha o queda presionada por la pieza de trabajo, el borde de la muela que entra en el punto de presión puede incrustarse en la superficie del material ocasionando que la muela se salga o se trabé. La muela puede saltar hacia el operador o lejos de él, dependiendo de la dirección del movimiento de la muela en el punto de presión. Las muelas abrasivas pueden también romperse en estas condiciones. El rebote es el resultado del mal uso de la herramienta o de procedimientos o condiciones de operación incorrectos y puede ser evitado si se toman las precauciones debidas, enumeradas a continuación:

- a. **Sujete firmemente la herramienta eléctrica y sitúe el cuerpo y el brazo de manera que pueda resistir la fuerza del rebote. Para un máximo control del rebote o reacción del par motor durante la puesta en funcionamiento utilice siempre la empuñadura auxiliar, si la hubiera.** El operador puede controlar la reacción del par motor o la fuerza del rebote, si se toman las precauciones adecuadas.
- b. **No ponga nunca la mano cerca del accesorio en movimiento.** El accesorio puede rebotarle en la mano.
- c. **No se sitúe en el área hacia donde vaya a moverse la herramienta eléctrica si ocurre un rebote.** El rebote impulsará a la herramienta en la dirección opuesta al movimiento de la muela en el momento del enganche.
- d. **Tenga especial cuidado cuando trabaje esquinas, bordes afilados, etc. Evite hacer rebotar o enganchar el accesorio.** Las esquinas, los bordes afilados o los rebotes tienen tendencia a enganchar el accesorio en movimiento y ocasionar pérdida de control o tensión de retroceso.

- e. **No acole una hoja de tallado de madera de sierra de cadena o una hoja de sierra dentada.** Dichas hojas ocasionan frecuentes rebotes y pérdida de control.
- f. **No coloque muelas de corte abrasivas reforzadas.** Tales herramientas pueden romperse y causar lesiones.

ADVERTENCIAS DE SEGURIDAD ESPECÍFICAS PARA OPERACIONES DE AMOLADO Y CORTE ABRASIVO

- a. **Utilice sólo tipos de muela que estén recomendados para su herramienta eléctrica y el protector específico diseñado para la muela seleccionada.** Las muelas para las que la herramienta eléctrica no ha sido diseñada no pueden protegerse adecuadamente y no son seguras.
- b. **La superficie de amolado de las muelas centrales bajadas debe montarse debajo del plano del borde del protector.** Una muela montada incorrectamente que se proyecta fuera del plano del borde del protector no puede estar correctamente protegida.
- c. **El protector debe estar bien sujeto a la herramienta eléctrica y posicionado para una seguridad máxima, de manera que la muela quede lo menos expuesta posible hacia el operador.** El protector ayuda a proteger al operador de fragmentos de muela rotos y del contacto accidental con la muela y las chispas que podrían incendiar la ropa.
- d. **Las muelas deben utilizarse únicamente para las aplicaciones recomendadas. Por ejemplo: no amole con el lado de una muela de corte.** Las muelas de corte abrasivo están previstas para el amolado periférico, y si se aplican fuerzas laterales a estas muelas pueden provocar que se rompan.
- e. **Use siempre bridas de muela no dañadas que sean del tamaño y forma correctos para la muela seleccionada.** Las bridas de muela apropiadas sirven de soporte para la muela, reduciendo así la posibilidad de rotura de la misma. Las bridas de las muelas de corte pueden ser diferentes de las bridas de las muelas para amolado.
- f. **No utilice muelas desgastadas de herramientas eléctricas más grandes.** Una muela diseñada para una herramienta eléctrica más grande no es adecuada para la mayor velocidad de una herramienta más pequeña y puede explotar.

ADVERTENCIAS DE SEGURIDAD ESPECÍFICAS PARA OPERACIONES DE LIJADO

- a. **No utilice papel de disco de lijado de un tamaño excesivamente grande. Siga las recomendaciones del fabricante al seleccionar el papel de lijado.** El papel de lijado grande que sobresalga del disco de lijado presenta un riesgo

de laceración y puede ocasionar el enganche o rotura del disco o un rebote.

- b. **Ajuste la velocidad del Mini Carver como se recomienda para aplicaciones de lijado.** El lijado a alta velocidad puede originar riesgo de laceración y quemaduras.

ADVERTENCIAS DE SEGURIDAD ADICIONALES



Use protector de oídos, gafas y guantes de protección y mascarilla antipolvo.

- a. **Use detectores adecuados para determinar si existen conductos de servicio ocultos en el área de trabajo o llame a la empresa de servicios local para obtener ayuda.** El contacto con conductores eléctricos puede provocar incendios y descargas eléctricas. Los daños causados en conductos de gas pueden provocar explosiones. La perforación de un conducto de agua puede causar daños materiales o descargas eléctricas.
- b. Suelte el interruptor de conexión/desconexión y póngalo en la posición de desconexión si la alimentación eléctrica está interrumpida, p. ej. en caso de fallo eléctrico o si se ha extraído el enchufe de alimentación.
- c. No toque las muelas de desbaste y corte antes de que se hayan enfriado. Las muelas pueden calentarse mucho durante el trabajo.
- d. Proteja la pieza. Una pieza sujeta con dispositivos de sujeción o en un tornillo de banco se mantiene más segura que con la mano.

CONOZCA SU HERRAMIENTA

DESCRIPCIÓN Y ESPECIFICACIONES DEL PRODUCTO



Lea todas las advertencias de seguridad e instrucciones. La inobservancia de las advertencias e instrucciones puede provocar descargas eléctricas, incendios y/o lesiones graves.

Autorización australiana SGS,

USO PREVISTO

El Mini Carver está concebido para el rectificado, tallado y lijado de metal, piedra y madera sin utilizar agua.

Nota: El texto, los diagramas y datos son correctos en el momento de su impresión. En aras de la mejora continua de nuestros productos, las especificaciones técnicas están sujetas a modificaciones sin previo aviso.

Para trabajar con aplicaciones en materiales que generan polvo, use accesorios de extracción de polvo.

CARACTERÍSTICAS DEL PRODUCTO Y LISTA DE COMPONENTES

Fig. A, Fig. B, Fig. C

HERRAMIENTAS Y ACCESORIOS DE MONTAJE

⚠ ADVERTENCIA: Para reducir el riesgo de lesiones personales graves, antes de realizar ajustes o retirar/instalar herramientas o accesorios, apague la herramienta y desconéctela de la alimentación eléctrica.

1. SUSTITUCIÓN DE MUELAS DE TALLADO Y DESBASTE

Presione el botón de bloqueo (29) para evitar la rotación, luego retire el tornillo de sujeción (18) con la llave Allen provista con la herramienta (Fig. D). Sustituya la cuchilla con otro producto recomendado por ArborTech, como se muestra en los diagramas siguientes.

Coloque la nueva muela sobre la polea pequeña, asegurándose de que esté centrada adecuadamente y se asiente de forma plana contra la cara de la polea. Coloque la arandela de sujeción (17) sobre la muela e inserte y apriete después el tornillo de sujeción (18) en el orden mostrado (fig. E). Asegúrese de que las marcas en la muela estén visibles y la flecha de giro apunte en la misma dirección que la flecha en la parte posterior de la protección.

⚠ ADVERTENCIA: Si las muelas no se montan adecuadamente sobre la polea, podrían producirse lesiones graves o daños en la herramienta.

2. MONTAJE DE LA ALMOHADILLA

LIJADO Para retirar la muela, siga los pasos preestablecidos arriba (paso 1).

En primer lugar, coloque el papel de lija (21) sobre la almohadilla de lijado (20), inserte después el tornillo avellanado (23) en el casquillo de sujeción (22) e introdúzcalos juntos en el agujero central de la almohadilla de lijado. A continuación, inserte la almohadilla de lijado sobre la polea pequeña (11) (fig. F) y apriete el tornillo en el mini eje.

3. MONTAJE DEL SISTEMA DE EXTRACCIÓN DE POLVO

Para la adaptación en el sistema de extracción de polvo, inserte primero las lengüetas frontales de la cubierta de extracción de polvo (19) situada debajo de los recortes de la cubierta de protección, empuje después la parte posterior hacia abajo para encajar los cierres sobre las lengüetas laterales del brazo de extensión, como se muestra en la fig. G. Coloque la manguera de la aspiradora en el agujero de extracción de polvo (fig. H). El sistema de extracción de polvo se ajusta al tamaño de manguera de Ø35 mm.

Para retirar la cubierta de extracción de polvo, tire del cierre de extracción de polvo lateralmente desde el brazo de extensión y tire después en sentido contrario.

Mini Carver		US/CAN
Alimentación	V	120
Potencia nominal	A (W)	8 (960W)
Frecuencia	Hz	60
Clase de protección	II	II
Velocidad nominal	Rpm	6000-18000
Diámetro de herramienta	inch (mm)	2" (54mm)
Tamaño de agujero de montaje	inch (mm)	3/8" (9.5mm)
Tamaño de tornillo de montaje		M5
Peso	lbs (kg)	4.4 (2kg)

DESEMBALAJE Y MONTAJE

Realice una inspección para garantizar que no se hayan producido daños en la herramienta y los accesorios durante el transporte. Si se ha producido algún daño, informe al minorista de inmediato.

Retire el mango auxiliar de la caja y colóquelo en la herramienta (fig. A).

El Mini Carver está equipado con una mini cuchilla Pro lista para el uso. Asegúrese de que el tornillo de sujeción (18) esté siempre totalmente apretado antes del uso.

CARACTERÍSTICAS DEL PRODUCTO Y LISTA DE COMPONENTES

ITEMS	características y componente
1	Cuerpo del Mini Carver/Mini Grinder Trade
2	Mango auxiliar
3	Interruptor de conexión/desconexión
4	Control de velocidad
5	Botón de bloqueo de accionamiento
6	Brazo de extensión
7	Mini eje
8	Rodamientos
9	Tapa de rodamientos
10	Tornillo de cabeza troncocónica 4g
11	Polea pequeña
12	Polea grande
13	Correa
14	Cubierta de protección
15	Tornillo de cabeza troncocónica 6g
16	Mini cuchilla Pro ¹
17	Arandela de sujeción
18	Tornillo de sujeción M5
19	Cubierta de extracción de polvo
20	Almohadilla de lijado
21	Papel de lija
22	Abrazadera Bush
23	Tornillo avellanado
24	Muela de corte de diamante ²
25	Muela abrasiva ²
26	Bloqueo del eje - cubierta
27	Ballesta
28	Barra de bloqueo
29	Botón de bloqueo
30	Espaciador de hoja ²

¹ Incluido con Mini Carver

² Incluido con Mini Grinder Trade

ADVERTENCIA:

- Para reducir el riesgo de lesiones personales, utilice siempre el sistema de extracción de polvo.
- Aplique una extracción de polvo adecuada para cortar materiales de mampostería.
- La aspiradora tiene que estar autorizada para aspirar polvo de mampostería.
- Use un respirador de polvo.
- La máquina sólo puede utilizarse para corte/rectificado en seco.



ADVERTENCIA: USE SIEMPRE ROPA DE SEGURIDAD ADECUADA, INCLUYENDO PROTECCIÓN PARA OÍDOS, OJOS Y PULMONES.

NO use la máquina bajo condiciones húmedas o en presencia de líquidos y gases inflamables.

PRECAUCIÓN: Cuando trabaje con materiales tratados o que contengan sustancias tóxicas, use el equipamiento de protección personal adecuado y siga las regulaciones de seguridad de la administración local.

FUNCIONAMIENTO

Para el manejo del Mini Carver, utilice siempre las dos manos, colocando la mano izquierda en el mango auxiliar y la derecha en el cuerpo de la herramienta (fig. J).

ANTES de establecer contacto con el material que debe procesarse, asegúrese de que la máquina funciona. Para lijar, rectificar o tallar en madera, sujete el Mini Carver como se muestra en la fig. K

AGARRE PARA CORTE

Use la Mini Pro Blade para cortar o quitar madera y plásticos.

Use las mini almohadillas de lijado para limpiar y lijar madera, plásticos, metal, pintura y muchos otros materiales.

Use la cuchilla de diamante para cortar y rebajar cualquier material basado en mampostería.

PUESTA EN MARCHA

¡Asegúrese de que la tensión de alimentación sea correcta! La tensión de la alimentación eléctrica ha de coincidir con la tensión

especificada en la placa de características de la máquina. Las herramientas eléctricas marcadas con 230-240V también pueden funcionar con 220 V.

DEMOSTRACIÓN DE ÁNGULO Y DIRECCIÓN DE CORTE

25-30° es un ángulo de trabajo cómodo.

Use el borde inferior de la cuchilla como se muestra en la fig. L / M, no como en la fig. N.

CONEXIÓN Y DESCONEXIÓN

Para poner en marcha la herramienta eléctrica, presione el interruptor de conexión/desconexión (3) hacia adelante.

Para bloquear el interruptor de conexión/desconexión (3), presiónelo hacia abajo en la parte frontal hasta que encaje.

Para desconectar la herramienta eléctrica, suelte el interruptor de conexión/desconexión (3), o si está bloqueado, presione brevemente su parte posterior y suéltelo después.

- Compruebe las herramientas de rectificar antes de utilizarlas. La herramienta de rectificar tiene que montarse adecuadamente y poder moverse libremente.

Antes de utilizar la rectificadora, efectúe una prueba de funcionamiento sin carga. No use herramientas dañadas, fuera del centro o que vibren.



PRECAUCIÓN:

Protección contra re arranque – la función de protección contra re arranque previene el re arranque incontrolado de la máquina tras una interrupción de la alimentación eléctrica. Para el re arranque, coloque el interruptor de conexión/desconexión (3) en la posición de desconexión y vuelva a arrancar la máquina.



ADVERTENCIA:

- **Lea siempre las instrucciones de seguridad y las regulaciones aplicables**
- **Apoye y asegure la pieza para prevenir movimientos y pérdida de control.**
- **No ejerza presión ni fuerce la máquina con tanta intensidad que se detenga.**
- **Si ha forzado intensamente la herramienta eléctrica, continúe utilizándola sin carga durante varios minutos para enfriar los accesorios.**
- **No toque las muelas de rectificado y corte antes de que se hayan enfriado. Las muelas pueden calentarse mucho durante el trabajo.**

HERRAMIENTA	AJUSTE DE ALIMENTACIÓN	APLICACIÓN
Mini cuchilla Pro ¹	5-6	Talla de madera
Muela de diamante ²	5-6	Rectificado de material de mampostería
Muela de rectificado ²	5-6	Rectificado de metal
Almohadilla de lijado	1-3	Lijado de madera, metal y otros materiales. Aplique una velocidad menor para papel de lija de grano mayor

¹ Incluido con Mini Carver

² Incluido con Mini Grinder Trade

MANTENIMIENTO



ADVERTENCIA: ANTES DE REALIZAR CUALQUIER AJUSTE, LIMPIEZA O TRABAJO EN LA PROPIA MÁQUINA, DESCONÉCTELA DE LA ALIMENTACIÓN ELÉCTRICA.

LIMPIEZA DE LAS REJILLAS Y DEL INTERRUPTOR

Compruebe la máquina regularmente para ver si ha entrado polvo o materias extrañas en las rejillas situadas en la parte frontal y posterior del motor (fig. O y P) o debajo del interruptor de CONEXIÓN/DESCONEXIÓN (fig. A).

En caso afirmativo, utilice un cepillo suave para eliminar el polvo acumulado y limpiar las rejillas y el interruptor.

TENSAR O SUSTITUIR LA CORREA

Desconecte el Mini Carver/Mini Grinder Trade.

Retire la hoja y la cubierta protectora (14), luego levante la parte trasera de la cubierta protectora y deslice la cubierta hacia atrás y levántela (Fig.Q). Desatornille los 4 tornillos (10) (fig. R), hasta que la tapa del cojinete (9) y la tapa de bloqueo del eje (26) puedan girar dentro del brazo.

Gire los componentes 9 y 26 juntos en sentido antihorario (Fig R) hasta que los tornillos se alineen con la siguiente posición del orificio en el brazo (Fig S). Esto hará que la polea pequeña se mueva y cree tensión en la correa. Asegúrese de que la correa esté colocada correctamente sobre las poleas como se muestra en la (Fig. T) y que la polea pequeña esté completamente insertada en el eje.

Cuando termine de tensar, apriete los tornillos. Luego asegure la cubierta protectora en el brazo e instale la hoja.

NO TENSAR LA CORREA EN EXCESO

Nota: Limpie los alrededores con un paño suave o un cepillo pequeño.

Para accesorios y piezas de repuesto, visite www.arbortechtools.com

*El fabricante se reserva el derecho de cambiar especificaciones sin previo aviso.

**Nota: Las especificaciones pueden diferir de un país a otro.

NOTA: El motor puede diferir del que se muestra en la caja, dependiendo de las especificaciones requeridas para su país

ARBORTECH™

**ARBORTECH PTY LTD 67 WESTCHESTER ROAD
MALAGA 6090**

PERTH WESTERN AUSTRALIA
Tel: 08 9249 1944 Fax: 08 9249 2936

U.S.A. -Tollfree: 866-517-7869

U.S.A Office: 978-466-7945 U.S.A Fax: 866-515-8104
EUROPE: Tel: +49 2724-288301 Fax: +49 2724-205515

**www.arbortechtools.com
Facebook: @arbortechtools
Email: arbortech@arbortech.com.au**

*Manufacturer reserves the right to change specifications without notice.

****Note:** Specifications may differ from country to country.

NOTE: Motor may differ from that shown on box depending on specifications required for your country.



ARBORTECH PTY LTD 67 WESTCHESTER ROAD, MALAGA, WA 6090

PERTH WESTERN AUSTRALIA

Tel: 08 9249 1944 Fax: 08 9249 2936

ARBORTECH TOOLS USA CORP.

30 Corporate Park Dr, Suite 210, Pembroke, MA 02359

ARBORTECH TOOLS CANADA INC.

120 Saunders Rd Unit 4, Barrie, Ontario, L4A 9A8

Tel USA Toll Free: (866) 517-7869

Tel Canada Toll Free: 855-939-8665

www.arbortechtools.com

Facebook: [@arbortechtools](https://www.facebook.com/arbortechtools)

Email: arbortech@arbortech.com.au